
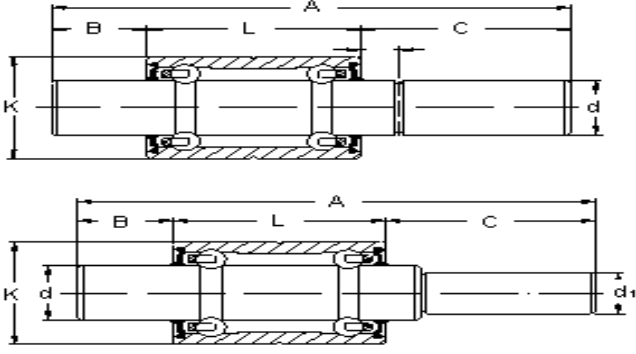



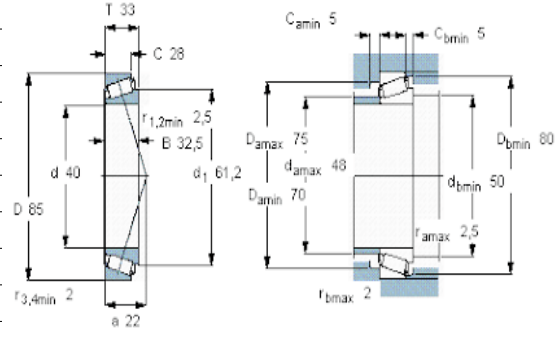
КОНУСНО РОЛКОВИ ЛАГЕРИ СКОРОСТИ И ДИФЕРЕНЦИАЛИ	РАЗМЕРИ
	
30202 = 7202	LM15-35-11
30203 = 7203	LM17-40-13.25
30204 A.538436	LM20-47-15.25
30204 oem.96316634	LM20-47-15.25
30205 = 805727=VKHB2189= 712152910	LM25-52-16.25
XFA-30206=30206/27=R27-6g	LM27-62-17.25
30206 = 7206	LM30-62-17.25
30206 = 576079B=TR306217HL=R30-10	LM30-62-17.25 oem.43225-28050
30207 = VKT8605	LM35-72-18.25 oem.43329-28050
10Q30207A=523762	LM37-72-18.25
30208 = VKT8647	LM40-80-19.75
30208 JYR1 = R40-17 SUBARU	LM40-80-19.75 oem.8063-40060
30209 = VKHB2296	LM45-85-20.75
30209 JR = VKHB2296	LM45-85-20.75
30210 = VKHB2167	LM50-90-21.75
30211 = 7211	LM55-100-22.75
30212 = BT1-0545	LM60-110-23.75
30213 = 7213	LM65-120-24.75
30214 = VKT8632	LM70-125-26.25
30215 A	LM75-130-27.25
30215 = VKHB2168	LM75-130-27.25
30216 = VKHB2204	LM80-140-28.25
30217 = 7217	LM85-150-30.5
30218 = VKHB2248	LM90-160-32.5
30219 = 7219	LM95-170-34.5
30220 A	LM100-180-37
30220 = VKHB2164	LM100-180-37
30221 = 7221	LM105-190-39
30222 = 7222	LM110-200-41
30224 = 7224	LM120-215-43.5
30226 A	LM130-230-43.75
30226 = 7226	LM130-230-43.75
30228 = 7228	LM140-250-45.75
30230 = 7230.	LM150-270-49
30302 = 7302	LM15-42-14.25
30302 A = 7302	LM15-42-14.25
30302 JR = 7302	LM15-42-14.25
30302 JRRS с уплътнение	LM15-42-14.25
30303 = 7303	LM17-47-15.25

30303 JRRS с уплътнение	LM17-47-15.25 oem.90043-66052
30304 JRYA1	LM20-52-15/13
30304 = 7304	LM20-52-16.25
30304 AJR	LM20-52-16.25 Oem. 90366-20003
30304 AJRRS с уплътнение	LM20-52-16.25
30305 A = 7305	LM25-62-18.25
30305 = 7305	LM25-62-18.25
30305 JR = 7305	LM25-62-18.25
30305 J2 / QVB281 с фаска	LM25-62-18.25
30306 = VKT8407	LM30-72-20.75
30307 = 7307	LM35-80-22.75
30307 = VKHB2202	LM35-80-22.75 Oem. 90366-35054
30308 = 7308	LM40-90-25.25
30309 = 7309	LM45-100-29.25
30309 = VKHB2201 = BT1-0588	LM45-100-29.25
30310 = VKHB2621 = BT1-0585	LM50-110-29.25
30311 = VKHB2198 = BT1-0589	LM55-120-31.5
30312 = VKHB2283	LM60-130-33.5
30313 A = VKHB2304 = BT1-0590	LM65-140-36
30314 = 7314	LM70-150-38
30315 = 7315	LM75-160-40
30316 A	LM80-170-42.5
30317 = 7317	LM85-180-44.5
30318 = 7318	LM90-190-46.5
30319 = 7319	LM95-200-49.5
32004X=2007104	LM20-42-15
10R32005 VC12UA=535411	LM25-47-15
32005X=NP638318/NP477660	LM25-47-15
32006X=VKHB2267	LM30-55-17 oem.90366-30019
32007 JR / 3YDL	LM28-62-18
32007X=513286=ST3562 по FAG	LM35-62-18
32008X=VKHB2188=NP014119/NP419902	LM40-68-19
32008 JR-3	LM40-68-22/14.5
32008/72	LM40-72-19/14.75
32009X=2007109	LM45-75-20
32009 JR YA1 по голяма фаска	LM45-75-20
32010X=VKHB2191=NP727209/NP106970	LM50-80-20
32010 JR YA1 по голяма фаска	LM50-80-20
ХАА32010X по голяма фаска Oem.091517185d	LM50-80-20 = 32010X/QCL7CVB026
32010 JR/1DYR3LFT=F-237543=BT1-0026 BMW диференциал	LM50-100-20.4/15.5 Oem.756565201
32011X=VKHB2060	LM55-90-23
32012X=VKHB2234	LM60-95-23
32012 JR/1B	LM60-95-27/21 Oem. 90366-60002
32013X=VKHB2199=NP568415/NP908986	LM65-100-23
32014X=VKHB2154	LM70-110-25
32015X=VKHB2282=JXC25716C/25716D	LM75-115-25
32016X=VKHB2157=NP416359/NP147197	LM80-125-29
32017X=VKHB2169	LM85-130-29
32018X=VKHB2170	LM90-140-32
32019X=2007119	LM95-145-32
32019X/Q=VKHB2161	LM95-145-32
32020X=2007120	LM100-150-32

32021X=VKHB2160	LM105-160-35
32022X=2007122	LM110-170-38
32024X=VKHB2216	LM120-180-38
32026X=2007126	LM130-200-45
32028X=2007128	LM140-210-45
32030X=2007130	LM150-225-48
32032X=2007132	LM160-240-51
32036X=2007136	LM180-280-64
32048X=2007148	LM240-360-76
32204=7504	LM20-47-19.25 oem.01391-33075
32205=7505	LM25-52-19.25
32205-B	LM25-52-19.25/15
32206=VKHB2016	LM30-62-21.25
32206 J HL1=32206-B	LM30-62-21.25
32207=VKHB2018	LM35-72-24.25
32208=VKHB2020	LM40-80-24.75
32209=VKHB2015=BT1-0525	LM45-85-24.75
32210=VKHB2017=BT1-0549	LM50-90-24.75
32211=VKHB2019=BT1-0547	LM55-100-26.75
32211/Q=VKHB2240=BT1-B328251/Q	LM55-100-40/21
32212=VKHB2347	LM60-110-29.75
32213=VKHB2288=330356	LM65-120-32.75
32214=VKHB2284	LM70-125-33.25
32215=VKHB2033=BT1-0506	LM75-130-33.25
32215 J2/Q	LM75-130-33.25
32215 C	LM75-130-33.25
32216=VKHB2026=BT1-0507B	LM80-140-35.25
32217=VKHB2080=BT10508	LM85-150-38.5
32218J2/Q=VKHB2030=BT1-0509=VKHB2410	LM90-160-42.5
32218 A	LM90-160-42.5
32218 JR	LM90-160-42.5
32219=VKHB2031=BT1-0530	LM95-170-45.5
32220 A=VKHB2297	LM100-180-49
HDB089=32220=VKHB2297 – NTN	LM100-180-49
32221=VKHB2212	LM105-190-53
32222=7522	LM110-200-56
32224=7524	LM120-215-61.5
32226=7526	LM130-230-67.75
32228=7528	LM140-250-71.75
32234=7534	LM170-310-91
32304 J2/Q	LM20-52-22.25
32304=7604	LM20-52-22.25
32305=7605	LM25-62-25.25
32305 JR	LM25-62-25.25
32306 B = CR-0656 за диферинциал	LM30-72-28.75
32306 DY	LM30-72-28.75
32306 J2/Q	LM30-72-28.75
32306=VKHB2007	LM30-72-28.75
32307=VKHB2063	LM35-80-32.75
32308=VKHB2001	LM40-90-35.25
32308 B за диферинциал	LM40-90-35.25
32309 B за диферинциал	LM45-100-38.25


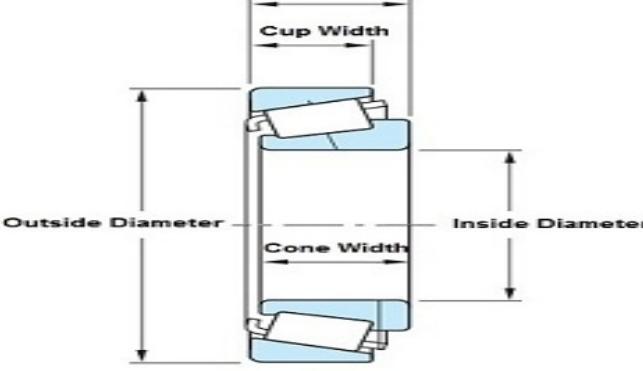
32309=VKHB2004=BT1-0592	LM45-100-38.25
32309 J2/Q	LM45-100-38.25
32310=VKHB2070=BT1-0510=VKHB2401	LM50-110-42.25
32310 J2/Q=R50-5 A	LM50-110-42.25
32310 B за диферинциал	LM50-110-42.25
32310/55=R55-5AS-A=VKHB2608 ISUZU	LM55-110-42.25/33
32311=VKHB2002	LM55-120-45.5
32312=7612=SET-1081=VKHB2003=BT1-0554	LM60-130-48.5
32313=VKHB2626=BT1-0511	LM65-140-51
32313 B за диферинциал	LM65-140-51
32314 J2/Q =VKHB2072	LM70-150-54
32315=7615	LM75-160-58
32316=7616	LM80-170-61.5
32317=7617	LM85-180-63.5
32318=7618	LM90-190-67.5
32320 A=7620	LM100-215-77.5
32324=7624	LM120-260-90.5
32328=7628	LM140-300-107.75
31303=27303=30303 DJR	LM17-47-15.3
31305=27305=VKHB2662	LM25-62-18.25
31306=27306=30306 DJR=F-848017	LM30-72-20.75 Oem.90366-30038 / 30011
31307=27307	LM35-80-22.75
31308=27308=STF-R40-101	LM40-90-25.25/16 Oem.90366-40111 / 40004 / 40008
31309 =27309	LM45-100-27.5
31310=27310=R50-12	LM50-110-29.25
31311=27311=VKT8759	LM55-120-31.5
31312=27312=VKT8758=330632	LM60-130-33.5
31313=27313=VKT8761	LM65-140-36
31314=27314=VKT8524	LM70-150-38
31315=27315	LM75-160-40
31316=27316	LM80-170-42.5
31317=27317	LM85-180-44.5
31318=27318	LM90-190-46.5
33005 JR	LM25-47-17.30
33006 JR	LM30-55-20/16
33007 JR	LM35-62-21/17
33008 JR	LM40-68-22/18
33009 JR	LM45-75-24/19
33010	LM50-80-24
33011	LM55-90-27
33012 JRRS= CR-1252L с уплатнение	LM60-95-27
33012	LM60-95-27
33013	LM65-100-27
33014	LM70-110-31
33015	LM75-115-31
33016	LM80-125-36
33017=VKHB2321	LM85-130-36
33018=VKHB2048	LM90-140-39
33019=VKHB2082	LM95-145-39
33020=VKHB2145	LM100-150-39
33021=VKHB2162	LM105-160-43
33021.580938=33021VB091=VKHB2146	LM105-160-43

33022=VKHB2163	LM110-170-47
33024=VKT8873	LM120-180-48
33108	LM40-75-26
33109	LM45-80-26
33109	LM45-80-26
33110=VKT8615	LM50-85-27
33110 XJA с фаска	LM50-85-27
33110 JRYA2 с фаска	LM50-85-27
33111=207049/207010	LM55-95-30
33112 = VKHB2233	LM60-100-30
33113	LM65-110-34
33114	LM70-120-37
33115=VKHB2222	LM75-125-37
33116=SET1102=VKHB2403=HDB021	LM80-130-37
33117=VKHB2158	LM85-140-41
33118=VKHB2331=BT1-0516	LM90-150-45
33120	LM100-165-53
33205=VKHB2057=STC3185	LM25-52-22
33206=VKHB2179	LM30-62-25 Oem. 90366-30087
33207	LM35-72-28
33208=VKHB2065	LM40-80-32
33209=VKHB2067	LM45-85-32
33210=VKHB2068	LM50-90-32
33211	LM55-100-35
33212=VKHB2173	LM60-110-38
33213=VKHB2051=BT1-0517=VKHB2405=T2DC120	LM65-120-41
33214	LM70-125-41
33215=VKHB2028=BT1-0533=VKHB2406	LM75-130-41
33216	LM80-140-46
33217	LM85-150-49
33218	LM90-160-55
33219	LM95-170-56
33220=VKHB2165	LM100-180-60
ЛАГЕРИ ВОДНА ПОМПА	РАЗМЕРИ
	
WR24032 лагер водна помпа	SA12-30-37.2/92.5
EJE13 лагер водна помпа	SA12/17-28-75
W6R081BRJ9Y лагер водна помпа	SA12/15.9-30-31.8/80.8
WB14012 лагер водна помпа	SA12/15.918-30-38/87.5
W8R108B лагер водна помпа	SA12/18-35-39/108
WPB1835119RS лагер водна помпа	SA13/18-35-46/119
W9B140 L лагер водна помпа	SA15.875-38-54/140
W22R119 лагер водна помпа	SA15.875/12-42-46/119

W22R120 лагер водна помпа	SA18/12-42-46/119
W6R122 лагер водна помпа	SA15.9-30-38.8/123
WB1640075 лагер водна помпа	SA15.918-40-39/75
885471C лагер водна помпа	SA16-30-40/85
CBK085 лагер водна помпа	SA16-30-38.85/105.95
885158 лагер водна помпа	SA16-30-39/138
K105 лагер водна помпа	SA16-30-39/115
527479 лагер водна помпа	SA16/25-55-60/128
R128 лагер водна помпа	SA16/25-55-60/145
W22R105 лагер водна помпа	SA22-42-65/105
W25B125 L лагер водна помпа	SA25.4-47.625-69/124.63
КОНУСНО РОЛКОВИ ЛАГЕРИ СКОРОСТИ И ДИФЕРЕНЦИАЛИ	РАЗМЕРИ
	
T2EE040=VKТ8913=JF4049/10	LM40-85-33
T2EE060=VKHB2228	LM60-115-40
T2EE100=VKHB2147	LM100-165-47
T2ED045=JF4549/JF4510	LM45-95-36
л	LM50-100-36
T2ED070=VKHB2024	LM70-130-43
T2DD065=VKТ8721	LM65-110-32.6
JP10049/JP10010=T4CB100	LM100-145-24
T4CB120=JP12049/JP12010	LM120-170-27
T5ED045	LM45-90-32/26
T5ED100.57637	LM100-160-42
T7FC045=JW4549/JW4510	LM45-95-29/20
T7FC050=JW5049/JW5010	LM50-105-32
T7FC055=JW5549/JW5510	LM55-115-34
T7FC060=JW6049/JW6010=VKТ8965	LM60-125-37
T7FC065=JW6549/JW6510	LM65-130-37
T7FC070=JW7049/JW7010	LM70-140-37
BKH-0010 D AUDI 6 / 8 скорости	LM41.2-93/98.9-82 двоен
BT1-0252 QVA621 VW CADDY/TIGUAN/SHARAN/GOLF 04	LM47.987-75.65-18.50/14
BT1-0252 B-QVA621 VW CADDY/TIGUAN/SHARAN/GOLF 04	LM47.987-75.65-20/16
BT1-0084X=VKHB2280=572813=VKBA5375	LM70-150-66/42
BT1-0097C удължена вътр.гривна	LM40-90-39/22.22
BT1-0163Q=VKHB2315=NP569484/644537=NP062901/NP024261	LM82-140-37.5/28.5
BSFB248180=809280	LM100-165-65
JXC25743C/JXC25743D=STC1156	LM45.975-83.5-17.4/23.5
JXC332CA/13318=580139.H75	LM48-80.962-14.29/17.46
JXC25389CC/Y33211=VKHB2339	LM55-100-33.5
F-15161=JXC25690CA/JXC25690DA	LM45-110/120-23/29.25 ребор на въшна
CBK257=639213	LM15-42-13.5
CBK258=639175	LM23-52-15/12.7

ST2247/LM72810	LM22.606-47-15.75
ST2455 без външна гривна	LM24-51.28-28.5 Oem.735371372 ZF
ST2358 TOYOTA скорости	LM23-58-17.5/12.5 Oem. 90366-23001
ST2557	LM25.4-57.15-19.43/13.5
ST2749 TOYOTA диференциал	LM27-49-15.2/11.4 Oem.90366-27001
ST2755 Fiat Doblo диференциал	LM27-55-15/10.8 Oem.55228238
ST2850/L45410==EC35004=CR-0676PX2=VKBA1367	LM28-50.3-16.7/10.7
28KW01-A=EC35004=ST2850=CR-0676PX2=VKBA1367	LM28-50.3-16.7/10.7
ST2857 Mitsubishi диференциал	LM28-57-17.5 Oem.MD723327
ST2865 TOYOTA диференциал	LM28-65-18/14.5 Oem.90366-28016
28KC692=ST2869 TOYOTA диференциал	LM28-69-21 Oem.90366-28002 / 28001
35KC62 TOYOTA диференциал	LM33-62-18.2/14 Oem.90366-33003 / 35096
ST3368-1 TOYOTA диференциал	LM33-68-21 Oem.90366-33002
ST3580-1 TOYOTA диференциал	LM35-80-26 Oem.90366-35060
ST3590 TOYOTA диференциал	LM35-90-21.75/20 Oem.90366-35058
ST3668 TOYOTA диференциал	LM36-68-21.34/16.5 Oem.90366-36003
ST3875-9 Mitsubishi диференциал	LM38-75-23.8 Oem.MD746744
ST3963 TOYOTA диференциал	LM38.5-63-16/12.5 Oem.90366-38029
ST3968-1 TOYOTA диференциал	LM38.5-68-18.575/14 Oem.90366-38001 / 38004
038KC68=R38Z-19=NP258107/770351	LM38.5-68-18.575/14 oem.90366-38004 / 38001
ST4085 TOYOTA диференциал	LM40-85-25 Oem.90366-40036
ST4078-3 TOYOTA диференциал	LM40-78-18/16.5 Oem.90366-40074
ST4095 TOYOTA диференциал	LM40-95.25-34/25.5 Oem.90366-40068
42KB741 = NP048839/NP183524 TOYOTA диференциал	LM42-74-20/15.3 Oem.90366-42009
ST4282 TOYOTA АВЕНСИС диференциал	LM42-82-22/17 Oem.90366-42006
ST4573 OPEL / FIAT диференциал	LM45-73-21/17 Oem.55575323 / 0371466
ST4580=LM603049/14=TR458020 TOYOTA диференциал	LM45.242-79.974-20.7/15 Oem.90368-45014
ST4870 TOYOTA диференциал	LM48-70-19.05/17.2 Oem.90366-48002
ST4988=BT1B332987/CL7=562190B=JLM104942A/104914	LM48.6-88-22/17 Oem.012311220A
ST5085 TOYOTA диференциал	LM50-85-25/20.8 Oem.90366-50081
ST5177	LM51-77-17.5/14
ST5183	LM50.8-82.55-21.59/17
ST5186 TOYOTA диференциал	LM51-86-22.5 Oem.90366-51001
ST5590A TOYOTA диференциал	LM55-90-20/15.5 Oem.90366-55074
ST5791A TOYOTA диференциал	LM57-91-20/14.5 Oem.90366-57001
ST5889 TOYOTA диференциал	LM58-89-24/19.2 Oem.90366-58013
STA3072 TOYOTA диференциал	LM30-72-23/16.5 Oem. 90366-30067
STA3266 Fiat Doblo диференциал	LM32-66-15/11 Oem.55223125 / 55250356
STA3574-1 TOYOTA диференциал	LM35-74-18.9 Oem.90366-35157 / 35159
STA4073	LM40-73-21.1/15
STA4391UR2/STA4387 Fiat Doblo диференциал	LM43.18-86.5-18.3/13.8 Oem.55246901
STA4391UR2 Fiat Doblo диференциал	LM43.18-91-18.3/13.8 Oem.55246900
STA4595 BMW диференциал	LM44.45-95-29.5/20.9 Oem.148279-02
STA4785 NISSAN диференциал	LM47-85-20.75 Oem.38440-0C000
STA5383 TOYOTA диференциал	LM53-83-24/19.5 Oem. 90366-53004
STB2951 TOYOTA диференциал	LM29-50.5-16 Oem.90366-29001
STB3060 TOYOTA диференциал	LM30-60-18.2/13.5 Oem. 90366-30096 / 90366-W0025
STB4489/H1/21	LM44.45-89-32/30
STB5080 TOYOTA диференциал	LM50-80-22/18 Oem.90366-50078
STB5085 Mitsubishi диференциал	LM50-85-15/10.76 Oem.MR581856
STD3568 = STC3068 TOYOTA диференциал	LM30.2-68-16.5/11 Oem.90366-30090
STD5590	LM55-90-22.5/19.5

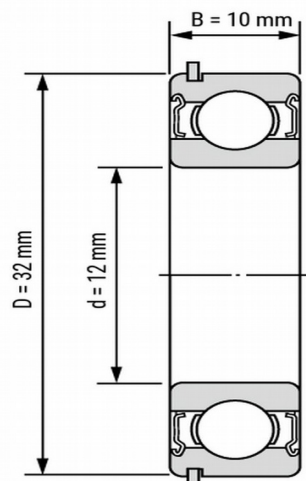
STE3575 TOYOTA диференциал	LM35-75-22/15 Oem.90366-35130
STF R33-6 G5 U42 TOYOTA диференциал	LM33-72-20.8/14.2 Oem.90366-33006 / A0014
STF3568 TOYOTA диференциал	LM35-68-22.5/17.5 Oem.90366-35160
CR-0499 Jaguar скорости	LM20.5-55-25.5/21
CR-10A22STPX2=EC43960.S01 MERCEDES диференциал	LM48-85-17/12.2
CR-08A76=NP692714/NP157462 MERCEDES диференциал	LM41.275-82.55-22/17
CR-08A72=EC44466.01 HONDA диференциал	LM40-76.2-16/14.5
4T-CR-0468 PX1=578225	LM21.43-50-18.288/13.5
4T-CR-0566	LM25-52-19.25/18
4T-CR-0627 HONDA	LM30-51-15/11.5
4T-CR-0643 RS	LM30-52-16/11.5
4T-CR-0898 STPX3	LM40-76.2-18.25
4T-CR-08A19PX1=CR-08A75PX1=561441	LM38-80-24/16
R35-67 = BT1B328178	LM35-66.5-23/18.25
R55-24 UQU42 Toyota Land Cruiser 4,5L Dizel	LM55-90-24 Oem.53100-H1170 / MR453231
13BSW02-A = H-05017 за рейки	SA13-33-11 Oem.90363-13002
ACS0304K-3 за рейки	SA17.2-40-11
F-65769=FC65769=710006600 за рейки	RNU19.07-34.16-6.1 oem.90365-19001 / 90369-19005
DB-600-240 = H-05116 за рейки	RNU19.35-29.1-6.35
F-225396=H-05029 / HM054 иглен с корпус за рейки	RNA20-42-6
HK24x30x7.5 = H-05122 за рейки	RNA24-30-7.5
F-227233 = H-05043 за рейки	RNA25-34-5.9
DB-600-731 = F-224588.1	RNU39.5-60-17.5 Oem.№A0029819512
DB-600-746	RNU22-40-12 Oem.№A0029819012
DB-601-333	RNU32-37-4.5
DB-67309=TR356556=R186.23	RNU35.6-57.2-17.9
DB-68126=DB-50185=F-67148.5	RNU41-64.3-20.92
DB-69881	RNU43.32-76.028-30.48
30RJ58 S2 TOYOTA – скорости	NJ30-58-18/20 Oem. №90365-30023
HTF-J33-1G=RBC1-0421/LBC1-0421 TOYOTA RAV-4 – скорости	NJ33-60-20.5/21 Oem.90365-33006 / 90080-37017
RNU070620-1=VP33-6A TOYOTA RAV-4 – скорости	RNU33-60-17.3/20.4 Oem.90365-33005
RNU070823-3 TOYOTA АБЕНСИС – скорости	RNU46.3-84-22.68
VP25-4=RNU050415A=AB-BC1-0417 TOYOTA – скорости	RNU25-43.5-15 Oem.90365-25021
RNU090718 VHW10 SUBARU	RNU42.83-71.5-18 Oem.8063-42010
NU22/32 BN/C6	NU32-65-21
NK25x45x17.5 NR PX1 канал+зегерка	NK25-45-17.5
8E-NK1-25x52.2X15.5 4 PX1	NF25-52.2-15.5 като NF
06NU0618-1VHC3=P27-6 CG40	NU27-58-18
06NU0618-4/23-1 SH6 CS70 NUPJZZU9=NTFUZ9-9/032=NOKZZU5 нуипаг / Kia toyota – скорости	NU31-62-23/17.5 NJ25-52-18/20.5 oem.0K71E-17290 90365-25031
NK30x55x21 3T2	NK30-55-21
8E-NK32x52x15-3	NK32-52-15
8E-NK33x60x20-9	NK33-60-20
P8ENK345920=8E-NK34x59x20=TNB44140	NK34-59-20
70591-1SH=J30-16=MD747707	NJ30-70-18/20
308-407A VW скорости	RNU41-58-16 Oem.01E311125
31RUKSNR/C3=VP31-3NXR канал+зегерка TOYOTA скорости	RNA31-55-18 Oem.90365-31006
PLC43-34/1 TP144=308-481 - SKODA скорости	RNU25-47-17
RNU10552.S03	RNU42-72-19
RNU12044.S01=F-91108=712102710	RNU34-51.04-17.5
RNU12048	RNU20.5-40-16

КОНУСНО РОЛКОВИ ЛАГЕРИ СКОРОСТИ И ДИФЕРЕНЦИАЛИ	РАЗМЕРИ Width
	
HL38KW01C	LM38.1-65-13.5/21
R41Z-17 TOYOTA RAV-4 – скорости	LM41.275-73.431-22.60/17.5 Oem.90368-41001
40KB722=NP211829/NP167395=STB4072 TOYOTA дифер.	LM40-72-19.5/16.5 Oem.90366-40094 / 90366-36140
TR0305AF-4 TOYOTA	LM17-47-15.5/10.5 Oem.90366-17001
TR0506R=NP718852/Y30206=F-848014	LM25-62-18.25/14
TRA0607RYR	LM30-72-21/14 Oem. 90366-30010
TR0607J-1LFT=R30-13 TOYOTA диференциал	LM30-72-24/16.4 oem.90366-30025
TR0708-1R=529656=B35-68B1C3=32307-B	LM35-80-33/25
TR070803C=35KC802=STN3580 TOYOTA диференциал	LM35-80-29.25/22 Oem.90366-35044 / T0062
TR070902 TOYOTA диференциал	LM35-85-21.7 Oem.90366-35011
TR070904-1-9LFT=R35-24 TOYOTA ХАЙЛУКС диференциал	LM35-89-38.1 oem.90366-35087 / 35028
TR080702J/1D TOYOTA ХАЙЛУКС диференциал	LM38.5-72-18.5 oem.90368-38010
TR100802-A TOYOTA ХАЙЛУКС диференциал	LM50-77-19.7/15.7 oem.90366-50011
32KB743=ST3274 TOYOTA диференциал	LM32-74-23.5/18.75 Oem. 90366-32025 / 32001
40KW01=ST4080=TR408030 Mitsubishi диференциал	LM40-80-35/27 Oem.MH043142
50KB801=ST5080 TOYOTA диференциал	LM50-80-22/17.4 Oem.90368-50007 / 50009 / 50024
50KB8301=STB5083 TOYOTA Ланд Крузер 100 диференциал	LM50-83-24/18.95 oem.90366-50001
TR100802-2= LM104948/912 TOYOTA ХАЙЛУКС диференциал	LM50-83-20.5/15.5 oem.90366-50007
TR100902D-2N=50KB803 TOYOTA RAV-4 диференциал	LM50-90-20/17 Oem.90366-50014/18/19/30
TR100902/1B TOYOTA диференциал	LM50-90-23.3/19 Oem.90366-50072
TR285717G ELANTRA скорости	LM28-57-17 oem.43220-34040
R28-9A=TR286322HL ELANTRA скорости	LM28-63-21/17.5 oem.43220-34040
TR286322HL=R28-9A ELANTRA скорости	LM28-63-21/17.5 oem.43220-34040
TR286220 ELANTRA скорости	LM28-62-19.45/15.7
TR306217HL=F-848135-TR1	LM30-62-17.7/13.25
NP030522/NP378917 Opel – M32 скорости	LM26.98-51.4-13.8/9.7 oem.053893754086
NP113979/NP693852 с реборд на външна	LM34.988-59.131/66-16.7 oem.02G311214B
NP159221/NP254157=STE4183 YR1	LM41.25-82.55-21/15
ECO-CR-08B59STPX1=NP159221/NP254157	LM41.275-82.5-23/15.5
NP181102/NP132010=NP087581/NP955053	LM33-68-17.5/16.7
NP183776/NP693218	LM28.5-56.56-14.732/5.5
NP218242/NP610846 с реборд на външна	LM50-82/91.55-21.5/9.75
NP238750/NP929800 OPEL – F-25 скорости	LM45-88-17.5/12.8 oem.55567508
F-571752.03=712157610=NP238750/NP929800	LM45-88-17.5/12.8 oem.55567508
NP245830/NP294963=EC43575	LM32-60-15.5
ECO-CR-10A21=NP248287/NP522879 Mercedes	LM48-85-14.6/9.8 Oem.A2113500249
F-805668=712150410=NP250301/NP320060 VW скорости	LM47.65-96.85-21.9/16.85 Oem.0A5311220D
NP259742/NP378917=EC42310.S01H206	LM25-51.4-13.9/9.08
NP261806/NP736655=67044/010=EC43879 S01	LM30-59.16-16.7/11.4

NP270973/NP372938=4856271=4797355	LM31-65.1-18.4/13.91
NP276760/NP167395	LM38.5-72-19.5 Oem.90080-36166 / 36168
NP282175/NP953787 VW / AUDI скорости	LM25-62-16/12.7 oem.02O311123A
NP285701/NP341513=EC41767/EC42229	LM25-62-17.5/13 oem.8200644044
NP326808/NP806712=BT1-0056=BT1-7502/QVC038	LM27-62/66-22.5/14.5 с реборд
NP373103/NP723196	LM40-78.15-22.75/20.5
NP401015/NP212181 с реборд външна VW скорости	LM45.1-80/84.2-16.2/12.5 oem.02F311220
NP407977/NP840431 FIAT BRAVO скорости	LM30-55-16.25/16.7
NP407977/NP810997/NP183498	LM30-65.08-17.962/16.7
NP417384/Y30206CM=EC42226.S01	LM25-62-17.5/14 oem.8200367844
NP428874/NP108329=CR-06A75-STPX1=CR-06B39 Mercedes скорост	LM30.162-64.292-21.5/13.82 oem.A21135000449
NP460743/NP266185=EC44238=CR-07A74	LM32.7-72.3-21.2/19.7 oem.A2129800302
NP481266/NP821971=STC2358	LM23-58-18.4/15.3
NP500972/NP660895=CR-10A45 Mercedes скорости	LM48.5-93-26.5/18 oem.A2303500049
NP559445/NP945727	LM45-82.625-22/15
NP604623/NP577617 Mercedes раздатка	LM60-89-15.25/10.5
NP604623/NP335170=EC44246.S01=CR-12A19STPX1V3 Mercedes скар	LM60-107-15/10.5 oem.A2303500249
NP622187/XC2465=KE570048/KE570048-3=NP811229/XC2465 VW ско	LM30-62-17/13.2 oem.02M311123B
NP643665/NP577891=CR-07A16.1 Mercedes скорости	LM36.437-73.85-22.65/13.75
NP683345/NP119178=NP227266/NP594885=CR-09A51	LM44.45-88.9-22/17.5
NP692885/NP948363	LM31.75-65.113-20.625
NP718852/NP022178=EC42224.S01	LM25-52-17/12.5
NP765903/NP525508 VW скорости	LM30-55-17.65 oem.02M311124A
NP784953/NP396414=803146/110 Mercedes / IVECO скорости	LM41.275-88.91-29.37/23.02 oem.0019806902 oem.42471125
NP797735/NP430273=EC42193 ОПЕЛ ЗАФИРА скорости	LM28-55-13.6/9.61 oem.053893602526
NP811212/NP737620 = 40KC683 Toyota деферинциал	LM40-68-19.5/15 oem.90080-36143 / 90366-40129
NP811229/XC2465DD=NP622187/XC2465 VW скорости	LM30-62-16.75/13.6 oem.02M311123
NP850232/JXC10238DF=NP621873/JXC10238DF=STC2808=STC1155	LM45.915-74.975-18.50/14
NP854792/NP430273=EC42192 ОПЕЛ ЗАФИРА скорости	LM25-55-14/9.61 oem.053893770116
NP861151/NP666842=TR080702J=038KC68=R38Z-19	LM38.5-68-19.5/15.4 oem.90366-38004 / 38001
NP864263/NP862174	LM45-85.7-21.625/19.5
NP868033/NP666556=EC42228 S01	LM25-66-22.05 oem.322637415R
NP925485/NP312842 Mercedes раздатка	LM53.975-82-15
NP925485/NP571239=CR-1185S TRX	LM53.975-98-15
NP957403/NP120839=EC44246.S01 Mercedes скорости	LM60-107-17.9/13.2 oem.A2303500349

СЪЧМЕНИ ЛАГЕРИ СКОРОСТИ И ДИФЕРЕНЦИАЛИ

РАЗМЕРИ


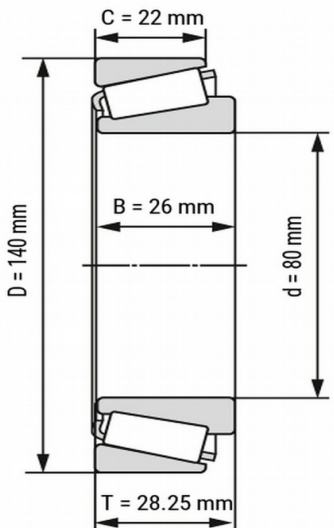


AB40053 2RS	SA10-32-12/8
800244=FE19740 ролка ос ветнилатор	SA10.5-40-42/53.7 оем. 058115136
12B2816T12VVCG18 2RS	SA12-26-18
83B880 2RS засек на външната	SA13-30/27-8
83A105BCS17	SA14.15-42-16/11
15267 2RS	SA15-26-7
SC0299LUZCS24	SA15-38-12
15BC04S18SSUC4	SA15-40-14
163110 2RS	SA16-31-10
15BSW02 без вътрешна гривна	SA16.4-35-11
TM-SC0349LUALA1CS28/L	SA17-40-15
DG1742RSC3	SA17-42-13
565007	SA17-52-16
806078=565007=83A218CS16=B17-99DD	SA17-52-17
DG175218 2RDHCM	SA17-52-18
EPBD17-29 T1XDDU алтернатор Тойота	SA17-52-22
546065 C3L140 2RS=B17-126DDWC3E=SX0344 LLU	SA17-62-17.6
VBT17Z-2 конусно съчмен без вътрешна	SA17.77-38-11
VBT17Z-4 конусно съчмен без вътрешна	SA17.77-40-11
BR1933 TN/C3	SA19-33-7
DG1935A	SA19-35-7
565592	SA20-42-29
SC04A34CS	SA20-47-12
20TM05 C3 2RS	SA20-47-15
800618=BB1-0014=62/22CJR2/20 C3	SA20-50-14 = 712158910
SC04B05CS	SA20-56-20
SC04A47CS29 = BB1-3055	SA20-52-12
SC04A50CS24PX1/3AS	SA20-52-12
DG205212-2-9TCS24=SC04A47CS24PX1	SA20-52-12
SC04B32LLU	SA20-52-17
AB12022 с реборд на външна	SA20-52/57-15
SC04B19CS30PX1 = BB1-3096	SA20-56-12
10Q630/22 AF386	SE20-56-16
B22-27 C3 = BB1-0078	SA22-52-15 оем.09262-22031
SC04A73 C3 = 63/22-15	SA22-56-15
AB12405.S01=63/22 2RS канал за зегерка	SA22-56-16 N
3TM-SX04B10X1CS38	SA22-56-16
SC04B66LLU 2RS	SA22-56-17
AB10599.S04=BB1B445972	SA22-57-16 N
BB1-3389 2RS два канала + зегерка	SA22-57-16.4 TVP N + зегерка
AB40087.S08=BB1B447244	SA22-57-16.8 TVP N + зегерка
22BC06S5X.NC2.C3	SA22-62-17
SX04A34V1	SA22-65-18/17T
SF0499 съчмен полиамиден сепаратор	SA22-70-18
AB12383=BB1B630857	SA23-50-14
B23-7C3=23BC05 S3	SA23-52-13
23TM03U40	SA23-52-15
AB12573.S03 2RS=623705 канал за зегерка	SA24-58-17 N
AB12533.S01 2RS=632605 канал за зегерка	SA24-62-17 N
SAC2547-1 конусен съчмен	SA25-47-15
SC05A51CS24PX1 = BB1-3056	SA25-52-13
AB44075.S01=SX05A87 канал за зегерка	SA25-52-15/14

AB40361.S01 канал за зегерка	SA25-52-15 N
83A915SH2-9TC4	SA25-55-15
SC05B88LBANSC29	SA25-56-12
SC05C05CS33	SA25-56-12
TMB205/56W-5 засек на външната гривна	SA25-56/52-15
572179=712135100 BMW скорости	SA25-56-28
AB41376.Y.S04 канал за зегерка	SA25-59-17.5 N
AB41386 1RS канал за зегерка	SA25-59-17.5 N
AB35560=SC05C26 2RS	SA25-60-17
DF0581N двуреден съчмен HONDA скорости	SA25-60-27
SC05A12=SC0563=613912	SA25-62-12
83580-9 C3 канал за зегерка и щифт	SA25-62-17 N
AB12390.S04=BB1-3160=6305 2RS N канал за зегерка	SA25-62-17 N
AB12437 2RS	SA25-62-17.5
AB12888.S05 RS=83A174J канал за зегерка	SA25-62-17.5 N RS
544872.E23	SA25-62-19 Oem.0661319 DAF
DG256318CS12 отворен	SA25-63-18
83197CSH2-9C4=6305/65PX29	SA25-65-17
BR2865 2RS	SA25-65-19
SC05B31CS37	SA25-68-12
DG2568DNSH2C3 канал за зегерка	SA25-68-17 N Oem.90363-25035
DG2568HNSH2C3=B25-238D=AB10598.S01	SA25-68-19 N Oem.90363-25068 / 25091
305862	SA25-68-19
B25-267 G5C	SA25-69-15.5
AB40559	SA25-75-17 N TVP
DAC2565 DNSRL	SA25.5-65-31/30 канал+зегерка
SC05A82C4	SA26-37-6
SAC2647-1MG=SF05A26PX1 конусен съчмен	SA26-47-15
SC05A61V1=AB44083S01	SA26-58-15
538367D	SA26-66-21.5/14.5
Z-536906.03=AB12145 S01 VW Golf 1.6-1.8i скорости	SA26-68-21.5/14.5 Oem.712135210
AB44079S01=AB44084S01=SF05A84=SC05B97	SA26-72-15.5
27TM01C4=AB41055=SC05B96	SA27-68-18
AB44049.S01= SX05B12	SA27-75-19 канал за зегерка
SC06A10LLU-BCM25=573537B	SA28-58-15
SC06A68	SA28-60-15
HC6206AHL=F-845043	SA28-62-17
BB1-3721 2RS Oem.712157210	SA28-66-18 канал за зегерка
566195 TVP отворен Oem.712157210	SA28-66-18 канал за зегерка
AB12077.S04=AB40204.S15=616034=527027	SA28-67-18 NR канал + зегерка
GB12152.S01=BA2B633668A FIAT DUCATO; PEUGEOT J5 1.8-2.5D с к	SA28-67-28/18 канал за зегерка
AB40278 2RS с канал за зегерка	SA28-67-19 N
28TM07-A EN=F-122502 два канала + зегерка	SA28-68-19 =712106210
28TM14 2RS скорости TOYOTA Авенсис	SA28-69-15 Oem.90363-28016
BR2870 AHL1	SA28-70-20 Oem.0K55217190A
TMB3/28JR2/72C4	SA28-72-18
AB41658.Y.S06 канал + зегерка + борд	SA28-72/78-27.7/16.5 RS,N
F-18043=BB1B445924 канал за зегерка	SA28-75/69.5-21/19 2RS N засек на външната
AB12203.S04 канал за зегерка	SA28-75-19 N
AB40710.S01=BB1-3042 два канала + зегерка	SA28-75-21 NN+R
AB40270 2RS канал за зегерка	SA28-76-28.2/19.5 N
SF06A18=SF06A27=SC0690 V1	SA28-78-20

AB40002.S05 два канал + зегерка	SA28-78-21 NN+R
TMB307/28V1=28BC08S1NC2	SA28-80-21
AB44204 S01=SX06C45HXLH=F-237696	SA28.40-61/67-15/11
25TM28 C3 TOYOTA диференциал	SA28.5-58-16.224 Oem.90363-25073
AB12179 Oem.5999437 FIAT	SA28.5-62-16
SAC3048-1 конусен съчмен	SA30-48-15/11
SAC3055-1=SF0649PX1 конусен съчмен	SA30-55-17/10.95
FE01796=539860.R20	SE30-55-15.5
9943=373005 като 7206 B	SA30-62-16
543806	SA30-62-16 + Семеринг, TVP 9 сачми
BB1-3276 с 2 канал + зегерка	SA30-62-17
578718=712135010=30TM19 C3 BMW	SA30-65-18
3TM-SC06B97 N.C3 канал + зегерка	SA30-65-19
30TM31ANXR 2RS	SA30-66-17
801777 A 2RS = BR3066 канал + зегерка	SA30-66-18
BA2B633910=VKBC20165 BMW скорости / MB Sprinter	SA30-67-31/28
SC06A98NCS23	SA30-68-21 канал за зегерка
SX06B68NP два канала за зегерка	SA30-68-22.5/21
HP83481A-9 NR	SA30-72-16 oem.90043-63087
PSC06C19 N с канал = AB41052 S01	SA30-72-16.5
SX06B81NP два канала за зегерка Мерцедес	SA30-72-22.5/21
3TM-SX06C62CS44 засек на външната	SA30-72/68.2-16
TM-SX06C42CS44=83C072CSH2	SA30-72/68.2-19 засек на външна
30BC07S40NS=806230170 за SUBARU	SA30-72/82-17 с фланец
572681=712129210=30TM13A-A1-N-C3	SA30-72-20 Oem.1228320 BMW
BB1-3255 с 2 канал + зегерка	SA30-72-20.6/17.5 oem.02Z311235E
SC06B58LLU канал за зегерка Мерцедес	SA30-72-21
30TM15A17=BB1-3189 2RS IVECO скорости	SA30-80-21
30TM36 A1 2RS IVECO скорости	SA30-80-23
SAC3155-1 конусен съчмен	SA31-55-17
AB12031 канал за зегерка	SA32-62-16 N
AB12029 канал за зегерка	SA32-68-17 N
AB44078 S01=SC06D02CS12	SA32-76-14
SC0693CS20	SA32-76-17.5
DG327618-12RJ8 2RS канал за зегерка	SA32-76-18
F-803196.07=SX06C12LLH1C3=712152010	SA32-80-21/17 фаска външна
32TM03-NXC3=B32-18 NXC3 2RS канал зегерка	SA32-80-23
SC07A42LLSAC4	SA33-55-15
PSC07A42	SA33-55-15
AB44260 S01=6207/33	SA33-72-17
33TM01NXC3 2RS=6307/33 2RS	SA33-80-19
SF07A17PX1 конусен съчмен	SA35-55-14.5
BB1B446740 2Z = AB44399 2Z	SA35-62-16
527640C.H42 = 361984C	SA35-67-22.5/21
BB1-0868 2RS=BB1-3360 BB=0B1311965C	SA35-70-17
SC07B37CS25X=B35-133 CG33	SA35-72-14
AB12183 2RS = TM207A-13-A	SA35-72-17
541507	SA35-72-17 N TVP 9 сачми
543772	SA35-72-17 Лагер Семеринг + О-пръстен
AB40577 засек на външната гравна	SA35-72-18.9/17
529907	SA35-72-21/17
BB1B417145 RS удълж.вътрешна	SA35-72-21/17

549172=548740 + втулка 35-52-18	SA35-72-26/17
DG357226 2RSC4=B35-53 AA C4	SA35-72-26/17
527361 Z27CX	SA35-72-24.5
114-865 2RS3ZC3=SC07A32CLA	SA35-72-25
P35BVV07X=35BVV07X-6=BA2-0022 канал + зегерка	SA35-72-35/20 Оем.MD761917
BA2-0023B=VKBC20180 скорости BMW	SA35-73-30
35BW08 C4=SX07D68LLU	SA35-75-25/18
F-18023=440682 канал за зегерка	SA35-75-20 N
10Q630/32 AN.F386 канал за зегерка	SE35-75-20 N
AB41659.Y.S05 канал + зегерка	SA35-77/83-23.5
SC0736CS19PX1	SA35-80-18
AB12013 канал за зегерка	SA35-80-20 N
35TM10-A 2RS BMW скорости	SA35-80-20
DG358021WC4	SA35-80-21 оем.90043-63028
BB1B363228 ZTN	SA35-80-21
DG358026WRKB C4=PW35800026/21	SA35-80-26/21
35TM11 NX1/C3 N 2RS IVECO / Ford Tranzit скорости	SA35-80-23 оем.1494646 канал за зегерка
35TM11 A2-A-3 E C3-01 Ford Tranzit скорости	SA35-80-23/18 засек външна
HC6307THL1SDDA2=TM-SC0788FFX2NRCS40 2RS=F-845961	SA35-80-24 2RS канал + зегерка
DG3585 2RKMDNSH2C3= BR3585D 2RS канал + зегерка	SA35-85-23
6307 NX7RX4/90C3 канал + зегерка	SA35-90-21
SC07B10LLUA=BB1B631409AC=AB35558=35TM1726	SA35-90-25
B36Z-10ACG32=83B169 ACS63 TOYOTA	SA36.2-67-29 Оем.90369-36008 / 36009
83A831GCS53=36DSF02	SA36.125-67-23 Оем.90363-41002 / 90363-36009
83A831SC5	SA36.2-67-18.3
BAC2017=IR5015 конусен съчмен	SA37-55-26
AB40019.S07 2RS канал за зегерка	SA37-73-17 N
SC0889LLAC4	SA38-58-15
531350	SA38-68-18
AB12831	SA40-68-15
DG4070A	SA40-70-15
DG4080 WRKBSH2C4=6308A20E4=TM308A5A-20E4C	SA40-80-18/23
AB12076=BB1B445578	SA40-90-25
DG409026W2RSSHR	SA40-90-26
800738 2RS канал + зегерка	SA40-92-23 Оем.432224A050
DG4092A2RKBDNRSH2 2RS канал + зегерка	SA40-92-25.5
DG4180 SCW Toyota Cruizer 100 – диференциал	SA41-80-17 Оем.90903-63008
83B231DCS19=SC0892 LLACS55	SA41.2-72-23
BB1-0904 AA 2RS	SA42-73.5-13 канал за зегерка
46T080704 ZHC2 с планка SUBARU	SA42.2-74-40/31 Оем.8063-42020
SC0929 за ATV HONDA	SA43-68-13
DG4380CS58=B43-2 TOYOTA Хайлуks диференциал	SA43-80-17 оем.90363-43001
RCT45-1S=TK45-4B	SA45-74-18
0WA03-33022 втулка за KIA	IR29.2-36-39
I-90226	ASK18.9-35.7-11.4 опорен
T113	ASK28.829-55.562-15.875 опорен
536123A	AKS30-50-12 опорен
S305117V Оем.0W029-33080	AKS30-51.75-16 опорен
440639 = AB10366	ASK30-56.6-16.1 опорен
240249 съединител SAAB оем.8701708 / 8340249 опорен	SAD33.20-57-18.5/36 опорен
512Z35=35TAG12	AKS35/37-64-19 опорен
BAC381.02 за съединител	AKS37-80-33 опорен

24TK308B2U3	AKS38.1-67-16.4 опорен
T149	AKS38.3-65.88-19.43 опорен
440561 B	ASK40-70-16 опорен
45TNK20	AKS45-77-19/14 опорен
528546C=500636	AKS45.1-74-20 опорен
528546C=500636	AKS45.1-74-20 опорен
T5082-2RS	AKS50-82-23 опорен
528548B=BFSB353056E	AKS50/51-78-22 опорен
BFSB353253 E-1	AKS51-93-26 опорен
2065-16	AKS52.3-83.5/89-20 опорен
CBK197	AKS52.38-84.5-19.25 опорен
CT1310	AKS63.5-103.37-22.09 опорен
BA52Z-2 TOYOTA Авенсис – скорости	SA52.4-86-15/13 Оем.90363-52005
BB1-3357 2RS фаска на външна гривна Оем.0735330800ZF	SA55-116/110-28 скорости MAH
9307-308A полиамиден сепаратор	SA70-90-9 CR-помпа
95DSF01 TOYOTA RAV-4 диференциал	SA95-120-17 оем.90363-95003
AB12458=AB12165 RENO скорости	SA100-130-16.5/15.3
FLT-014TV=135-954TNG двуреден съчмен	SA110-140-30
BD130-1SA двуреден съчмен	SA130-166-35.5
BA180-4	SA180-250-33
BA1B447154 месингов сепаратор	SA330-390-25
КОНУСНО РОЛКОВИ ЛАГЕРИ СКОРОСТИ И ДИФЕРЕНЦИАЛИ	РАЗМЕРИ
	
EC10697.S05	LM130-220-67.3/50.3
EC10699=64432/64708=VKHB2187=CBK264	LM110-180-41.275
EC12050	LM20-62-25.25
EC12073	LM20-47-14/12
EC12218.S02.H100	LM100-130-15.9
EC12238	LM42-68-14
EC12430	LM25-52-19.25
EC12461=312526	LM42.5-67-17.5/13.5
EC12468.S01.H206	LM29-60-19.5/15.5
EC12502=32008/38=563774	LM38-68-19/14.5
EC12530 реборд на външна	LM45-76/83-20
EC12557.S02.H206	LM25-52-16
EC12567=EC40987 реборд на външна	LM25-59/65-17.5
EC12587.S02 реборд на външна	LM25-52/58.8-18
EC12606.S01.H106	LM95-126-18

EC12625	LM25-59-18.05/17
EC12626.H206	LM25-47-15.1/11.5
EC12660.H106	LM40-80-24.8
EC12694.S02.H106=LM300849/300811=R154.17	LM41-68-17.5
EC12725.H206	LM30-55-19/13
EC12771	LM21.5-47-15.25
EC12775.H106	LM103-133-18.55
EC12890.S01.H206	LM25.3-60-19.5
EC12917	LM40-80-18/16
EC12943	LM74.89-140-47.03
EC35116=CR-05A22=F-15196=30205 реборд на външна	LM25-54/59-18.75 Oem.8200200188
EC35483=32206/25 STPX	LM25-62-17/21.5 Oem.8200326719
EC35491=M12649/M12610=90368-21001	LM21.43-50-17.52
EC35399=CR-0492=NP867201/NP646353=VKBA6530	LM22-50.05-18.288/17.526
EC40001.H106	LM27-52-15/11.5
EC40510.H106=R25-34	LM25-52-14.5/11
EC40988.H206	LM25-59-20
EC41053.H106	LM45-75-20/15.5
EC41249.S05 VW скорости	LM38-78/83.65-20.7 Oem.02E311220B
EC41444.H206	LM25-51.7-16.7
EC41446.H206	LM25-61.7-17.25/14
EC41457.H206=712114110	LM25-65.7-22
EC41465.H206	LM28.5-64-17.3
EC42217=NP895213/NP749914=NP537150/NP050487	LM41-73-21/16 Oem.55563923
EC42317.S01=10R32010A=VKBA1444=NP838887/NP437479	LM50-80-20/15.5
EC42320=NP537150/Y32008X=BT1-0348/QCL7=BT1B328053 FIAT ско	LM41-68-19/15
EC43082.S01.H206	LM28-62-17.5/13
EC43676.S01=CR-0740=TR369035 HL=ET32308/36.51=F-848141.TR1	LM36.50-90-26/33
EC43958.S01=BT1-0039/Q=32011/102STP6 Mercedes диференциал	LM55-102-23 Oem.A0039801202
IR-3036 като NU	R34.9-76.4-17.4
JC8004=CBK239=F-19031	RN30-61.935-19.05
N10787 канал за зегерка	RN32-72-19 N
N12099	RN42-80-18
N12124	RN25-52-17
N12528.S09.H100	RN37-73-17
N12649.S04.H100 канал за зегерка	RN36-72-17/17.5 N Oem.231766
N12680.S04.H100=BC1-0013=BC1B322148	RN32-62-18
N2207 W	RN35-72-23
N40000.H100	RN40-85-20
N40021.S01.H100	RN20-47-14
N41517.H300	RN30-58-17
N41627.H300	RN36-72-19.5
N41518.H300=N41660.H300	RN47-96-21
NJ12012.S03.H100=BC1B635251	NJ25-52-21.1/20
NJ40646.H100	NJ24.97-54-21.1
02474/02420	LM28.575-68.262-22.225/17.46
02872/02820	LM28.575-73.02-22.225/17.46
LM07000	LM25-50-16
07087X/07210X=VKHB2238	LM22.225-50.80-15.011/12.7
07100S/07210X	LM25.40-50.80-15.011/12.7
07100S/07204	LM25.40-51.994-15.011/12.7
09067/09195	LM19.050-49.225-18.034/14.288

09081/09196	LM20.625-49.225-23.02/17.463
XC10240CJ/XC10240DH=BT1B328688=45449/410	LM29-50.29-14.73/10.66
LM102949/102910=BT1-0251=RTC3095	LM45.24-73.43-19.56 oem.52701-44120
JLM104945.N910Z=VKBA829	LM50-82-27.7/17
LM104948/NP658549	LM50-82-24.5/21.5
LM104948/104910	LM50-82-21.5/17
LM104948/104911	LM50-82.55-21.59
LM104948/104912=TR100802-2	LM50-82.931-21.5/17
LM104949/104910	LM50.8-82-21.5/17
LM104949/104911	LM50.8-82.55-21.59/16.51
LM104949/104912	LM50.8-82.931-21.59/16.51
11590/11520 LAND ROVER	LM15.875-42.862-14.288/9.525 Oem.606666
L116149/116110	LM82.55-115.88-21.4/16.67
LM11749/11710	LM17.46-39.87-13.84/10.6
LM11949/11910=VKHB2270	LM19.05-45.23-15.49/12.06
12175/12303	LM44.45-76.992-17.462/11.908
LM121948D/LM121911	LM107.95-152.40-65.08
LM12649/12610=VKHB2152	LM21.43-50-17.52/13.97
LM12749/12710=VKHB2271	LM21.98-45.237-15.49/12.06
LM12749/12711	LM21.98-45.975-15.49/12.06
LM12749/12712B=JXC06536DC=562495=712129910=BT1B332991	LM22-45/51.4-16.637/12 с борд
1380/1328	LM22.22-52.39-19.37/14.28
13682/13621	LM36.512-69.012-19.05
14X30210=XGA30210=545741 RENO скорости	LM52-90-21.75/20
14124/14276=14125/14276	LM31.75-69.01-19.85
14136A/14276 удължена вътрешна	LM34.925-69.012-26.721
14138A/14276	LM34.925-69.012-19.845
14585/14525	LM34.925-68.262-20.638/15.875
15101/15245	LM25.4-62-19.05/14.288
15117/15245	LM29.99-62-19.05/14.288
15123/15245	LM31.75-62-18.161/14.288
15125/15245	LM31.75-62-19.05/14.288
JK151547 само вътрешна гривна за JCB	LM25.001-47.40-18
15578/15520	LM25.40-57.15-17.462/13.495
NG160	R160-240-25
NG180	R180-280-31
16150/16284	LM38.1-72.23-20.638/15.875
1780/1729	LM25.4-56.896-19.368/15.875
17887/17831=R45Z-6UQU42=TR458020=LM603049/LM603014	LM45.242-79.985-19.842/15.08 oem. MR470683
18204X/18335X	LM52-85-20
18690/18620	LM46.038-79.375-17.462/13.495
18790/18720	LM50.8-85-17.463/13.495
19138/19283 В с борд	LM34.976-72/75.857-17.018/14.288
HM204043/204010	LM39.987-90.975-31.99/26.5
JM205149/205110=VKHB2023	LM50-90-28/23
JM207049/207010=33111	LM55-95-29/23.5
21075/21212	LM19.050-53.975-22.225
2F-UY1308TM	RD35-90-23
H-83008SF=F-19034=MU1308UM	RD40-90-23
MU1309	RD45-100-25
U1311 T	RD55-120-29
VRE68215AHX канал за зегерка	RD65-130-38

M1207	RNU44-72-17
M1014/M1015	RD70-110-20
MU1013	RD65-100-18
MU1922	RD110-150.07-20
MU1922DAHV канал за зегерка	RD110-150.07-20
JH211749/211710=T5ED065=VKHB2287	LM65-120-39/32
HM212047/212011	LM63.5-122.24-38.1/29.72
HM212049/212010	LM66.68-122.24-38.1/29.72
HM212749/212710=VKHB2332	LM65.987-123.975-41.50/34
HM215249/215210=VKHB2050	LM75.987-131.975-39/32
HM218248/218210=VKHB2029=BT1B639416	LM89.974-146.975-40/32.5
HM218248/218210=VKHB2279=SET-414	LM89.974-146.975-40/32.5
HM220149/220110=567549=BT1B639417Q=805248=VKHB2305	LM99.974-156.975-42/34
KJL22349/22310=CBK323	LM22-41-14.4/11.4
KJL22349/22310=BCAB326332	LM22-41-14.4/11.4
24780/24720	LM41.275-76.2-22.225/17.463
25577/25520	LM42.875-82.931-23.812/19.05
25577/25523 oem.43729-05600	LM42.875-82.931-26.988/22.225
25580/25520=35176/35326	LM44.45-82.931-23.813/19.05
25580/25523	LM44.45-82.931-26.988/22.225
25584/25520	LM44.988-82.931-23.812/19.05
25590/25520=VKHB2309	LM44.988-82.931-23.812/19.05
25590/25523	LM45.618-82.931-26.988/22.225
2580/2520=VKT8452	LM31.75-66.421-25.4/20.638
25877/25821	LM34.93-73.03-23.812/19.05
25880/25820	LM36.487-73.025-23.812/19.05
25880/25821	LM36.487-73.025-24.6/19.05
26882/26820	LM41.275-80.167-25.4/20.638
26882/26822	LM41.275-79.375-23.812/19.05
27687/27620	LM82.55-125.412-25.4/19.845
27695/27620	LM84.976-125.412-25.4/19.845
27880/27820	LM38.1-80.035-24.608/23.6
2789/2720=VKHB2054=VKT8839	LM39.688-76.200-23.812/19.05
28137/28317	LM34.925-80.035-21.433/15.875
28580/28521 D двоен	LM50.8-92.075-51.5/49.6
28580/28521	LM50.8-92.075-24.607/19.845
28584/28521	LM52.388-92.075-24.607/19.845
28680/28622	LM55.562-97.63-24.607/19.446
29586/29522	LM63.50-107.95-25.40/19.05
29675/29620	LM69.85-112.71-25.4/19.05
29685/29620	LM73.02-112.71-25.4/19.05
LM29748/29710=29749/29710	LM38.1-65.088-18.034/13.97
LM29749/29711	LM38.1-65.088-19.812/15.748
U298/U261L=JWB-3015=R186.25	LM35-65-18.1/17 със втулката
LM300849/300811=574963C=BT1B328612	LM40.98-67.975-17.5/13.5
LM300849/300811/1B	LM41-68-20/16
LM300849/300816=CR-0880=545748B=803548	LM40.98-78-17.5/13.5
302/32 RLFT	LM32-65-18.5/15
303/22 RLFT=CR-04A08	LM22-56-17.25/13
303/28 RLFT	LM28-68-19.75/16
315823=VKT8783	R40-90-23 NJ+NR без сепаратор
315824=VKT8784	R45-100-25 NJ+NR без сепаратор

31594/31520	LM34.925-76.20-29.37/23.813
31597/31520	LM36.51-76.20-29.37/23.813
32KB02/11B	LM32-65-27.25/15
320/22	LM22-44-15.5/11.5
32005/26=CR-0574	LM26-47-15/11.5 T
CBK171=639174	LM26-52-15/12.7
320/28	LM28-52-16/12
10R320/32 C=541582	LM32-58-17/13
320/32 JR = VKT8760	LM32-58-17/13
322/28 = STA2858	LM28-58-20.25/16
322/32	LM32-65-22.25/18
BC1B326120=575867=722073710 с реборд	RD40-94/97-30 еднор.ролков без сепар.
BT1B328236A=712130010=02A311123E=JXC25640=17118/17244B	LM30-62/68.5-18.12/17.2 с реборд
BT1B329270Q	LM45-72-18.31/15
32907 JR-3=2007907 засек на вътрешна гривна	LM35-55-14/11.5
32907 JR=2007907	LM35-55-14/11.5
32908 JR=2007908 TOYOTA	LM40-62-15/12 Oem.90366-40A001
32910 JR=2007910	LM50-72-15/12
32911 JR=2007911	LM55-80-17/14
32912 JR=2007912	LM60-85-17/14
32913 JR=2007913	LM65-90-17/14
32924=2007924=VKHB2247=BT1-0514	LM120-165-29/23
572428=L329013=ST2950A/45410=CR-06A84	LM29-50.292-17.52/10.5
329149=BT1-0017	LM38.112-71.016-18.258/14.5
331958=529065	LM88-140-32/24
33281/33472	LM71.438-120-29.794/23.444
33287/33462=VKHB2311	LM71.438-117.47-30.1/23.8
3381/3320	LM38.10-80.17-29.37
3382/3320	LM39.688-80.17-29.37/23.812
33885/33822=VKT8978=722056910	LM44.45-95.25-27.783/22.225
3386/3325	LM39.688-79.974-29.37/23.80
3386/3325	LM39.688-79.974-29.37/23.80
33895/33822=VKHB2075=VKT8656	LM53.98-95.25-27.783/22.225
33889/33822=NP972299/NP698197=CBK322	LM50.80-95.25-27.783/22.225
339/332	LM35-80-21/18
342X/332B със реборд	LM43-80/85-22.5/18
34300/34478	LM76.2-121.442-24.608/17.462
34306/34478=NP006893/NP917517=VKHB2209=805670	LM77.788-121.442-24.608/17.462
344/332=NP909358/NP282407 VW скорости	LM40-80-21/17.82
3476/3422	LM31.75-80.167-29.37
3490/3420	LM38.10-79.37-29.37/23.812
355X/352	LM44.45-90.119-23.1/21.8
3585/3525	LM41.275-87.312-30.162/23.812
36690/36620	LM146.050-193.675-28.575/23.02
368A/362A	LM50.80-88.90-20.638/16.513
368A/362AX	LM50.80-88.90-23.812/19.688
368A/362X	LM50.80-90-25/22.225
369A/363	LM47.625-90-25/22.225
37425/37625=NP823007/NP735186=CBK339	LM107.95-158.75-23.02/15.8
37431/37625=57551=NP171062/NP539191=045180	LM109.53-158.75-23.02/15.8
3780/3720=VKHB2310	LM50.80-93.264-30.162/23.812
385A/383A	LM50.8-100-21

385/382A	LM55-96.838-21/15.875
385/384ED двоен	LM55-100-49.20/39.675
387A/383A	LM57.15-100-21/17.824
387A/382	LM57.15-98.425-21/17.824
387A/382A	LM57.15-96.83-21/17.824
387A/382S	LM57.15-96.83-25.40/20.274
389A/382A	LM53.975-96.83-21/15.875
395A/394A=NP601751/NP607075	LM66.675-110-22/18.824
395/394A	LM63.50-110-22/18.824
39581/39520=VKHB2036	LM57.15-112.712-30.16
39580/39528	LM57.15-119.985-32.750
39590/39520=VKHB2175	LM66.67-112.71-30.16
39590/39520	LM66.67-112.71-30.16
3982/3920	LM63.5-112.75-30.16
3984/3927X=VKHB2176=201035	LM66.675-110-30.162
3984/3920=VKHB2074	LM66.675-112.712-30.162
U399L/360L със втулката	LM39.69-73.08-22/19
399A/394A	LM68.262-110-22
40.040=T040-003=6011 RSR.S0 вентилаторна шайба ACTROS / MAN	SD25-90-30.5/46
40TAC72ASUC10N7B	SA40-72-10
H414245/H414210	LM68.262-136.525-41.275
JH415647/415610=VKHB2203=563226	LM75-145-51
418/414	LM38.1-88.5-27
42381/42584	LM96.84-148.43-28.58/21.43
42688/42620	LM76.2-127-30.162
43131/43312	LM33.338-79.375-17.462/25.4
L432348/432310	LM158.75-205.583-23.812
ETA4367V8	LM39.65-80.25-40.15
SK-4395	LM42.07-82-40.386
LM44643/44610	LM25.40-50.29-14.22
LM44649/44610=NP881228	LM26.98-50.29-14.22
45285/45220	LM50.8-104.775-31.20/23.80
LM45449/45410=518772=XC10240=BT1B328688	LM29.02-50.29-15.73
462/453X	LM57.15-107.95-27.78
46790/46720	LM165.1-225.425-41.28
47487/47420=VKHB2200=547518	LM69.850-120-32.545
47687/47620=47686/47620	LM82.55-133.35-33.34
48190/48120	LM107.95-161.93-34.93
482/472	LM69.85-120.00-29.794
48290/48220	LM127-182.562-39.688
484/472	LM70.00-120.00-29.794
LM48548/48510=VKHB2151	LM34.925-65.088-18.034
49585/49520	LM50.80-101.60-31.750
493/496 ED двоен	LM80.963-136.525-60.325/59.530
497/492A	LM85.725-133.350-30.162
497/493	LM85.725-136.525-29.76/22.2
U497/U460=331761BE=R154.37	LM45-80-22/26
498/493	LM84.14-136.53-30.16
50KW01/3720=CR-1084PX1	LM50-93.264-30.162
LM501349/57428=F-848061	LM41.275-72-19.55
LM501349/501310=VKHB2153=NP178207/889967=BT1-0384Q	LM41.275-73.43-19.55/14.7
LM501349/501314	LM41.275-73.43-21.43/16.6

LM503349/503310=VKТ8918=F-809662=NP863447/NP837197=BT1-176	LM45.987-74.976-18/14
LM503349/503311=BT1-0383Q	LM45.987-74.976-20
LM503349/503319=331944=528942	LM45.987-84.985-18/14
509043B=321449	LM26.56-57-15/10.4
JLM506849/506810=EC44526 S01	LM55-90-23/18.5 Oem.90080-36098
L507949/507910	LM57.15-87.312-18.258
JLM508748/508710=VKТ8766	LM60-95-24/19
510148B=F-45818=314839=316790	R35-80-23
511134A	R45-95-28/32
511135A=360599=6209/42 2RS	SE42-85-19
511482=330632=HM911244/216	LM60-135-35.5
JM511946/511910=VKHB2243=545118	LM65-110-28
JM511946/3920	LM65-112.712-30.162
512099 = 316785AC	R60-110/115-22
512533=PLC44-6=F-87629=F-31173=RN5506=722072010 ZF скорости	RN30-60-26 без външна
512786A=PLC64-11=639154	LM26-57.15-17.462
514857AB=315313=BC1B320584	RN133.6-165-20
JM515649/515610=VKHB2205=BT1-0519=524850=VKHB2412	LM80-130-34
515828	SE25-62/67-19/17
JHM516849/51610=VKТ8526	LM85-140-38/31.5
HM518445/518410=VKHB2227=BT1-0522=VKHB2408	LM88.90-152.40-39.688
518712=331257	LM40-95-29
518713=331263	LM44.986-112.712-34
520418	SEA37.5-68-21
5208	NU40-80-30
521471=239697=VKТ8782 SKANIA главина	LM60-130-39/25.5
522380=VKТ8886=331305=XGA33211 MERCEDES,IVECO,MAN главина	LM50.8-100-35
522637 конусен съчмен	LM19.5-44.5-14.5/8.5
JHM522649/522610	LM110-180-47/38
52400/52618	LM101.6-157.16-36.5/26.2
524599	LM55-102.5-52.5
524884=331589 Q	LM63.5-120-42.79
526385A=361841	SE55-103-52
527056 M / N канал за зегерка	NU30-62-24
527811	SE30-67-24
528946=331126 Q	LM105-170-29/38
528983=331933=VKHB2132	LM70-130-59.2
529X/522X	LM50.8-101.6-34.925
529257A	SE60-113-52
529381B TVP RS	SA35-72-17
529901A	LM15-35-11.5/8.5
530990A = 316785 с реборд	NUP60-110/116-22
53178/53375	LM44.45-95.25-30.96
532488	RDS65-120-46
533449B	SE28-66-21.7/14.6
53376D/53176	LM44.252-95.00-65.925
534176=579905=804182	LM110-180-82/69
JHM534149/534110	LM170-230-39
534565=332330=VKHB2071	LM70-130-59.2
536093=319349AB	R40-92-25 TVP KATO NJ
535/532X	LM44.45-107.95-36.512
537/532X	LM50.80-107.95-36.51

539244A=VKT8940	SE90-160-30
5395/5335	LM49.212-103.118-43.658
540106	R60-130/137-31
540626A.J30NF=BS2B321579	RDS100-150-50/62
540669=509333=BT1B332532	LM65-165-37/23
543805 VOLVO главина	LM38.113-90-36
544235	LM55-100-36.1
544236	LM60-110-39.5
544741B=F-93666.2 ZF скорости	RNU36-56.3-20
55175C/55437	LM44.45-111.125-30.162/20.638
55200C/55437	LM50.80-111.125-30.162
558047 M=NU326 E.M1	R130-280-58
560/552A	LM66.67-123.82-30.16/36.67
561388B=712142910	SE33-75-21.6/14.6 конусен съчмен
563466A=712150910=712150010 с канал за зегерка	SE25-58-16
563809A=908653=BC1B322722=BC1B320308A DAF скорости	R45-100-31 N
56425/56650	LM107.95-165.10-36.512
56425/56650 CD двоен	LM107.95-165.10-82.55/63.5
Z-564539TR1=BT1B332927	LM45-135-25.3/33.8 Oem.A0089811605
564583 = F-125360	SA10.2/18-52-32/30
565795A=BT1B328525=VKHB2291	LM65-110-46.6
566096A	SE35-77-17 566096.H49A
566616B=BC1B319552=722054410	R80-150/157-27.5
566997C	SET62-90.5-14
567/563=VKHB2208	LM72.5-127-37
567171	LM65-150-50.15/35
Z-567411	RDS120-260-58
567486A=712143310 AUDI скорости	LM31.75-79.2-29.37
568331=BT1B328358=712143010 VW скорости	LM31.75-76.2-25.4
568335=VKD35023	AKS81-102-15
568350C AUDI лагер виско	SE20-49-20.6 Oem.077115136A / 077121211F
568587=722071210 IVECO скорости	SA50-100-27 канал+зегерка
572791BH49A=712143510 FORD скорости	LM27-66-18.5
57355	LM20-52-19.5/18.5
57407/1D NISSAN скорости	LM40-70-19/14.5
57407/32008J=EC35083	LM40-68-19/14.5
575725=722072210 Mercedes Benz скорости	LM65-165-41.6
575/572	LM76.20-139.99-36.51
575649=01E311445=712156810 VW скорости с реборд	LM25-72/77.8-40.5
576582TR1=568082=01E311220=712143110 с реборд	LM44.45-95/103-28
578184B.H49A=712148410 FORD скорости	LM27.5-66-18.5
578571H.73C=712156910 OPEL Омега скрости	LM41.275-86.978-37.5
578973TR1=712135310 VW , AUDI скрости	LM34-64-23/19
579165D.J11	SA30-62-16
580616=VKT8799=722066410 Mercedes Benz скорости	LM75-140-36
580/572=VKHB2041	LM82.55-139.99-36.51
580704H49A=712143610 FORD скорости	LM27.5-66-20.5
580740A	LM31.75-59.131-36/27.5
581038=F-848001.TR1=302/28	LM28-58-16/12
593/592A=VKHB2180	LM88.9-152.4-39.688
594/592A=VKHB2040	LM95.25-152.4-39.69
594/593X	LM95.25-150-35.992

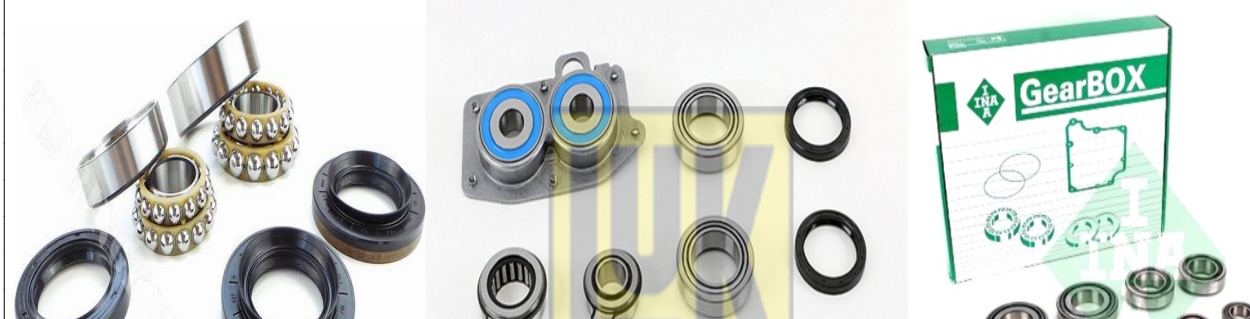
596/592A=VKHB2040	LM85.725-152.40-41.275
598/592=VKHB2083	LM92.07-152.4-39.69
LM603049/603011=NP449291/NP442308	LM45.24-77.78-19.84
LM603049/603012	LM45.24-77.78-21.43
6075/6157	LM19.05-39.992-12.01/9.5
6379/6320=VKHB2195	LM65.088-135.755-53.975
639058=527046=514-874	LM78-106-17
6386/6320 = VKHB2013	LM66.67-135.75-53.97
639068=509989	LM65-95-16.25
639180=CBK091	LM36-68-16.65/13.75
64450/64700	LM114-177.8-41.275
65214	R70-125-39.7
6559C/6535 AD двоен	LM82.55-161.925-122.50/98.20
6580/593 AD двоен	LM88.90-161.925-101.85/79.95
663/653=VKHB2043=VKT8527	LM82.55-146.05-41.28
665/652	LM85.725-152.4-16.667
I-90233 XB/VQ045	LM25-52-19.25
LM67048/67010=CBK088	LM31.75-59.13-15.87
LM67048/67014	LM31.75-61.986-15.87
67885/67820	LM190.50-266.70-47.63
540484 = LM68145/68111Z=328227	LM35-59.97-18.75
LM68149/68110=VKHB2237	LM34.98-59.13-15.87
LM68149/68111=NP144863/NP294963	LM34.98-59.97-15.87
683/672=VKHB2042	LM95.25-168.275-41.275
LM69349/69310	LM38.02-63.05-17.01
JLM704649/704610	LM50-84-22/17.5
JLM710949/710910=NP379811/NP717379	LM65-105-24
JLM714149/714110=JXC25716C/25716D=VKHB2338	LM75-115-25/19
JM714249/714210=201067=VKHB2137 Mercedes 813 главина	LM75-120-25/31=523278
JM716649/716610=SET361=VKT8437	LM85-130-30
JM718149/718110=VKHB2226=524851=BT10520	LM90-145-35
JM720249/720210	LM100-155-38
JHM720249/720210	LM100-160-41
72200C/72487	LM50.8-123.825-25.4/36.512
7705	LM28-67-20.5
7706	LM28-58-17.5
7707	LM33-62-16
7804=34519	LM19.05-45.237-16.637
7805=35726	LM26-57.15-17.462
7806	LM32-72-29.75
7807=23690/23620	LM34.94-73.03-26.98
782/772=NP164196/NP856634	LM104.775-180.975-47.625
78238/78537	LM60.325-136.525-33.236/23.4
78250/78551	LM63.5-140-33.23/23.5
LM78349/78310=521425=330757C/QCL	LM34.987-61.973-13.6/16.7
801215=800730	LM100-160-66/61
HM801346/801310=F-803554	LM38.10-82.55-29.37
HM801349/801310=VKT8919=805022	LM40.48-82.55-29.30
801400A=722063510	LM80-165-57
801464/805064=722065910	LM60-130/137-34 с реборд
801794B= 722063410	LM65-152-48.5
M802048/802011=BT1-0382Q	LM41.275-82.55-26.543

HM803146/803110=NP784953/NP396414	LM41.27-88.91-30.162
HM803148/803113 с реборд	LM45-90/98-29.37
HM803149/803110=NP443760/NP564799	LM44.45-88.90-30.162
HM804840/804810	LM41.275-95.25-30.163/23.02
HM804846/804810=VKT8473	LM47.625-95.25-30.163/23.02
HM804848/804810	LM48.412-95.25-30.163/23.02
805015=BT1B328274=7220640100	LM70-165-62/43 Oem.0149814905
805728=712153010 VW,AUDI скорости	LM30-68-12.7/16.4
805888=712153110 VW,AUDI скорости	LM25-52-12.7/16.25
F-805937 DAF,ZF диферинциал	LM70-150-50/34
806023 KIA – скорости oem.43220-23000	LM28-62-17/14
806093 KIA – скорости oem.43329-23010	LM35-73.4-17/15
806154 KIA – скорости oem.43225-32000	LM30-60-19
806155 KIA – скорости oem.43226-32000	LM27-58-17.5
LM806649/806610	LM53.975-88.9-19.05/13.492
LM806649LFT/806610/1B	LM53.975-88.9-22/16
HM807035/807010	LM41.275-104.775-36.512
HM807040/807010	LM44.45-104.775-36.512
HM807046/807010=VKT8441	LM50.80-104.775-36.512
HM807048/807010=527053C=331740	LM54.50-104.775-38.512
HM807049/807010	LM53.975-104.775-36.512
JLM813049/JLM813010	LM70-110-20.5/26
L814749/814710	LM76.200-109.538-19.050
HM813849/813810	LM71.438-127-36.512
LM814849/814810	LM77.788-117.475-25.4
JL819349/819310	LM95-135-20
JM822049/822010	LM110-165-35
M84248/84210	LM25.40-59.53-23.368
M84249/84210=NP636046/801481	LM25.40-59.53-23.368
M84548/84510=BT1-1751/Q	LM25.40-57.150-19.431
M86643/86610	LM25.40-64.292-21.433
M86647/86610	LM28.575-64.292-21.433
M86649/86610=BT1B329120=STA3064=803550	LM30.162-64.292-21.433 oem.90368-30002
M88043/88010=BT1B332674=CR-06A36=STA3068	LM30.16-68.26-22.23 oem. MB393471
M88043/88010=BT1B332674=CR-06A36	LM30.16-68.26-22.23
M88046/88010	LM31.75-68.26-22.22
M88048/88010	LM33.338-68.262-22.225
M88048/88022 RENO скорости	LM33.338-76.20-22.225
HM88542/88510=F-234975.06=805031	LM31.750-73.025-29.370
HM88547/88510	LM33.338-73.025-29.37
LM88648/88610	LM35.720-72.223-25.40
LM88649/88610	LM34.925-72.233-25.40
HM89249/89210	LM36.512-79.30-29.37 oem.MB664380
HM89446/89410 oem.42030-05600	LM34.925-76.20-29.37
HM89449/89410=F-237541.02=ST3776	LM36.51-76.2-29.37
HM903245/903210	LM41.28-95.25-30.96
HM903249/903210=CBK334=AK-53178/53377	LM44.45-95.25-28.58
HM911244/911210	LM59.987-130.175-36.512
HM911245/911210=VKT8645	LM60.325-130.175-36.512
H913842/H913810=VKT8627	LM61.912-146.050-41.275
H913843/H913810	LM61.912-146.050-41.275
JH913848/913811	LM70-150-41.28

H913849/H913810	LM69.85-146.05-41.28
H917840/H917810	LM76.20-180.975-53.975
9285/9220 = VKT8635	LM76.20-161.92-31.75/49.212
938/932	LM114.3-212.72-66.6/53.9
95514/95905	LM130-230-63.5

ЛАГЕРИ И КОМПЛЕКТИ ЗА СКОРОСТИ И ДИФЕРЕНЦИАЛИ

РАЗМЕРИ



F-12748	HK43-50-20
F-19046=BC1B322467=568426	NUP50-100/106-25 с борд
F-200284.2=F-54825=713000500=529285 AUDI,SEAT,VOLVO,VW окач	SA14.2/20.6-36.6-10.9
F-200393=722024410 ZF скорости	K20-36-24
F-201514=723011000	HK42-52-20
F-203122=7120454100 Audi,VW скорости	HK24-32-18
F-203348.9=712045510 Audi,VW скорости	RNA27-41-23
F-203786.2 Mercedes,ZF скорости	HK26-31-33
F-204127=712008410	HK38-45.23-12
F-205317.HFL=HFL3530	HFL35-42-30
F-206473.2=712047610 Audi,VW скорости	RNA15-21/35-18
F-206755=722026710 ZF,Ford скорости	K60-66-42
F-206756=722026810 ZF,Ford скорости	K67-73-37
F-207024=712047710 Audi,VW скорости	K27-32-24.8
F-207025.03=712047810 – VW Golf скорости	K27-32-24.8 + IR21.5-27-25.7
F-207555.6=712048410 Audi,VW,Seat,Skoda скорости	NU29-46/52-18
F-207727.3	RNA23-37-28.3
F-207908.3=712048810 Fiat скорости	K35-39-25.5
F-207948=726002500	RNU52-72-20.5 Oem.A6169810012
F-208843=712049410 Ford скорости	HK25-42.15-15.84
F-209031=722028110=K43x48x39.5 Ford скорости	K43-48-39.5
F-209342=712011010 Audi,VW скорости	HK15-29.85-7

F-210540 N=F-95315=7230046100	RD40-90-27
F-210642=712050710 BMW,Ford,Mercedes,ZF скорости	RNA23-38-20
F-211810=712034010 VW	RNA32-42-18
F-212285=410001510 BMW E46	BK15-24-26 oem.21207536792
F-213070.4=712053410 - OPEL – F17 Скорости	HK25-44.5-19/22
F-213390=712013010	HK22.3-32-13
F-213995.1=712053910 Ford,Mercedes,VW скорости	RNA15-21-22
02A311648C Audi,VW скорости	RNA15.2-23-28
F-214101=726002900 Mercedes скорости	RNA56-80-29.4
F-214930=4100117100 Ford скорости	BK15-28-26
F-215401=410004710 Audi,VW скорости	HK18-28-21.29 RS
F-216331=712157310 VW скорости	NU22-45-14.5/15.49
F-218726.4=712056810 Audi,VW скорости	RNU30.55-40-26
F-219705 Hyundai скорости	NU28-55/60-17 oem.43223-36060
F-219381=712057710 Audi,VW скорости	K42-48-27
F-219382=712057810 Audi,VW скорости	K38-44-27
F-219425.1 Audi,VW скорости	HK11.85-23-9.3
F-219528.1=712110610 Audi,VW скорости	K38-43-25.2
F-219529.1=712057910 Hyundai,Audi,VW скорости	K35-40-24
F-219530.03=712058010 Audi,VW скорости	K+IR29-40-24.25
F-220006=722032910 Mercedes Benz	RNU33-49/54.7-16.5
F-220469=717001600	BK15.88-23.88-21.88
F-221278.01=722033200 Mercedes Benz скорости	NA40-55/61.5-19.8 с борд
F-221711.04=712058710 RENAULT,OPEL скорости	K42-47-30
F-222722=712087400	HK25.628-30.84-22
F-222813.02=712059510 OPEL F17 скорости	K37-41-15.7
F-222962.1=712019210 Audi,ZF скорости	HK46-64.6/68-20
F-223356.551 втулка за F-230986 Ford скорости	IR27.5-34.5-19
F-223475=712020010 Mercedes Benz скорости	K14.32-21.92-24
F-223480+F-223479=712162010 Mercedes Benz скорости	АХК + ВТУЛКА
F-223492.2=712021310 Mercedes,WV скорости	K31.5-35.5-13
F-223704.1=722074410 Mercedes Benz скорости	HK25-39-20
F-223773=712061310 Ford,ZF скорости	BK27-44-23
F-223869.05=712151710	RNA31.29-38-15 Oem.012409139A
F-224583=712061910 Mercedes Benz скорости	K42-47-23+IR37-42-23 / 37-47-23
F-224584=712062010 Mercedes Benz скорости	K36-41-23+IR31-36-23 / 31-41-23
F-225479=713001100 DAEWOO,OPEL окачване	RNA14.8-41/44.5-11.8
F-225508=712023310 Mercedes Benz скорости	RNU36-57-21
F-225511=712023510 Mercedes Benz скорости	HK38-58-18
F-225994=722034710 Mercedes Benz скорости	RNA25-44-19.65
F-226372=712145010 Ford,ZF скорости	RNU39-56-12.8
F-226559.2=722035110 Mercedes Benz скорости	RNU47.5-80-26.5
F-226837.4=712064010	RNU38-59/65-17
F-226897.05=F-231353.01=712111810 Audi	SA9.2-15-12.9
F-226931.02	HK10-14.5-12
F-227242=532016110	SA8.4-28.3-29/15
F-227394.4=712065710 Audi,VW скорости	RNA25-37/49.6-22
F-227764=F-96187=713001900 OPEL окачване	HJK12.3/20.45-36.67-10.96
F-227913=F-210804=712112710	HK18-24-12
F-229056.1=712069400	HK34.5-52.6-17.45
F-229564=712070210 Audi,VW скорости	K38-43-27
F-229852.02=722064810	K77-101-29.2

F-230274=712071010 CHRYSLER,VW,Mercedes скорости	HK35-53.5-19.5
F-230742=712113510 Audi,VW,Seat,Skoda скорости	K30.5-35.5-26.5
F-230986=712113810 Ford скорости	RNA27.5-55-19/15.5 + F-223356.551
F-231750=712114010 Audi,VW,Seat,Skoda скорости	AS59-62.5-8.35
F-231927=712144510 VW скорости	NU29-48/52-18/16
F-232032.60=712129610 Ford скорости	HK42.2-62.5-17.4
F-232122=712158810= DB-601531 VW скорости	HK35-50-14 Oem.02U311429A
F-232141=0735298254 ZF IVECO скорости	RNU23-40.4-21
F-232349=712114710 Audi,VW,Seat,Skoda скорости	NA24-47-17.6/16.5 NR
F-232712=712158510 Audi,VW,Seat,Skoda F-232848=F-204217=712008510 Porsche,Audi,VW,Mercedes,Skoda скорости	K+IR26-37-23.4 Oem.02S311228A RNU43-62-17
F-233428=712114910	HK43-63-15
F-233504.14=712150110 Audi скорости	RNU42-67-22
F-234048=712153310 Audi,VW скорости	K34-41-26
F-235066.06=712186210	RNA17.5-32-25 + K27-32-12.2
F-235208=F-600387 Skoda скорости	RNA28.2-35.2-14.6
F-2357247=712153610=02E311213 VW	K39-44-26.6
F-235739=712144310=F-89754.3 OPEL скорости	RNA24-44.5-22
F-236120.03=712152710 BMW диференциал	LM30.163-64.292-23
F-236230=AP-601-797=AP608-270=5311372A	NKI30.2-59-20/22 Oem.0A5311372A
F-236536.07=712177210 Mercedes скорости	HK68-84-13.5
F-236693=712154910 VW скорости	HK25-37/54.75-26 с реборд
F-236820=712149110	RNU34.5-53.5-15.5
F-236947.04=712135810 FORD TRANZIT скорости	RNU57-75/82-15.5 с реборд
F-236948.04=712176310 FORD TRANZIT скорости	RNU50-74/79-17.5 с реборд
F-237054=712154610 VW скорости	RNU23-36-11
F-237417=712178310 FORD TRANZIT скорости	RNU28-44-24.5/20.5
F-237542.02 BMW диференциал	LM44.45-102-37.5
F-237638.03=712158710 OPEL – F25 скорости	K29-34-20
F-238637.02=712150310 Audi,VW,Seat,Skoda скорости	SA30-72/77-22/19,5 RS+N Oem.02M311235A
F-238637.20=712157110 Audi,VW,Seat,Skoda скорости	SA30-72/82-22/26.8 2RS+N Oem.02M311235F/G/L/K
F-238771=9307-306A	RNU23-40-14.5
F-238891.02=712180010 Mercedes скорости 1863869047=F-239190.04=410013910 AUDI A1, A3, A4, A6, Q3, Q7, T1, SEAT	HK32-53.5-19.5 BK15-21-23.6
F-239495=712152810=ST3579 BMW диференциал	LM34.925-79-31
F-239513=803548=712157710=7542102-03 BMW диференциал	LM40.98-78-17.5
F-27991.03	SP17-14.8/55-89
F-29118	UD16-32-27/23
F-346081.02=711024410 AUDI,BMW,OPEL,SEAT,SKODA – ролка	UD Oem.4805077 Пул, помпа за високо налягане
F-37634=AB12992S01=BB1-3040	SA22.31-68.52-9
F-390599.KL	SA25.4-52-21
F-39411.2=712098810 BMW,Citroen,Peugeot,Rover скорости	RNA21.8-31.86-33.25
F-39782	SA51.5-77.5-10
F-46857.03=421005710 FIAT,FORD,LANCIA	RNA33-35-24
F-49285=FLT-108=CPM2180A	RNA40-61.74-32
F-52867=712036010 Audi,VW скорости	HK22-30-18
F-53673=723000400	HK50-65-25
F-553575.01	NUP20-42-16
F-554763=712154810 Audi,VW,Seat,Skoda скорости	NK38-52-17.3
F-554926.11=712175210 Mercedes скорости	HK43-50-14.5
F-554990=712178910 Ford скорости	NU24-50-14.5/16
F-555809 NR+F-555806=712157910 Audi,VW скорости	NA26-55-18

IR26-32-18 за F-555806 462005510 комплект лагери и семеринги за скорости за VW CADY,SKODA,GOLF	IR26-32-18 с фаска на върт. комплект за скорости VW
462005610 комплект лагери и семеринги за скорости за AUDI,WV	комплект за скорости AUDI,WV
462005710 комплект лагери и семеринги за скорости за AUDI,WV 462014610 комплект лагери и семеринги за скорости за AUDI,WV,SKODA	комплект за скорости AUDI,WV комплект за скорости AUDI,WV
462014710 комплект лагери и семеринги за скорости за BMW 168L	комплект за скорости BMW
462014810 комплект лагери и семеринги за скорости за BMW 188L 462033110 комплект лагери и семеринги за скорости за FORD TRANZIT	комплект за скорости BMW комплект за скорости FORD TRANZIT
F-558389=713008200 OPEL окачване	SA32.9-114-34
F-558683=712150710 OPEL скорости	NK27-47-19.3
F-55927=723000500	HK50-65-17
F-560274=712152210 OPEL скорости	NK24-47-19.5
F-56202.BSR=F-80491.BSR	SA8.3-42-30
F-562226.01=712158010 FORD скорости	RNA21-40-20.35 oem.1678476
F-565866 =712151110=BT1B329025=1982/1924 Ford скорости	LM27.5-57.15-19.845/15.875
F-56769=717000200	BK11-17.5-16.4
F-568031.TR1	LM26.8-58-16.6/11
F-568895=712156010=NP765903/NP919474 WV,Skoda скорости	LM30-55/59-16.5/13 с борд
F-574027=712187210=NP258107/NP261058	LM38.5-67-16.54
F-582061=712179410 Ford скорости	NJ35-42.5-18.5
F-58528=722012210 Mercedes скорости	K53.46-61.46-23
F-58695=722046410 Mercedes скорости	HK31-51-31
F-66263=712116600=DB59722=566050 DANA	RNU35.5-57.2-17.7
F-800856A.H49A.2RS=712151510 Ford скорости F-801298.H179=F-234976.06=712150810=S14690 BMW E46 диференциал	SE25-62-19 LM46-90-14/20
F-801837= SX06C03LLH1=712151810 Mercedes,WV скорости	SA32-72-19/15
F-801841=712151910 Mercedes скорости	SA25-62-17
F-803197.03=712152110 Mercedes,WV скорости	SA32-87/81.9-21
F-80491.BSR = F-56202	SA8.3-28-23/14
F-805240.06=712149810 Audi скорости	SA32-67-15.7
F-805315.02=712144410 WV скорости	SA30-72/77.25-27.7/23.6 N
F-805339.02=712152310 Ford скорости	SA27-80-18
F-805561.03 засечка на външна гривна	SA40-92/85-24.5
F-805670TR1=712150610 Iveco,VW,ZF скорости	LM77.79-121.44-24.06
F-80796.03=722015010 MAN,Mercedes,ZF скорости	RNA30-68-26
F-82734=712037500 Audi,WV скорости	HK24-30-16
F-82741=712037600 Audi,WV скорости	RNU38-76-20.5
F-84227=722016210 Mercedes,Renault,ZF скорости	HK32-39-20
F-85706=410000810 Audi,WV скорости	HK18-24-15.8
F-85815=712037910 Opel скорости	HK32-44-16.8
F-86677=722065810 VOLVO,ZF скорости	HK75-83-16
F-86755=410000110 JOHN DEERE,OPEL скорости	NK15-23-14
F-86827=F-33126=F-85625=410000210 ISUZU,OPEL скорости	HK15-21-15 RS
F-87486=722018310 MAN,Mercedes,ZF,VOLVO скорости	SA30-59.5-25/23
F-88230.01=722001610 ZF скорости	HK25-35-16.2
F-88544.RH=726006300	HK26-36-6
F-88545=722019310 DAF,MAN,Mercedes,ZF,VOLVO скорости	RNA35-68-25
F-89013=410000310=BN1B493353 BMW,OPEL скорости F-89647.3=414000810=UF20Z-139=1405439 RENAULT,VOLVO скорости	RNA12.1-21-18 RNU24.5-47-87.5
F-89711.2=712102300 Audi,WV скорости	NU24.85-45-18/29.8
F-89754.2	RNA24-44-19.35/21.95
F-89765.1=712102410 Mercedes,WV скорости	K35-41-26 oem.02F311432

F-90308.02=712039210=RNA4906 OPEL-F16 скорости	RNA35-47-17
F-90423=712039510	RNA8-12-30
F-91108=712102710=DB7074Z=RNU12044 Fiat,Mercedes,Porsche,Renault скорости	RNU34-51.04-17.5
F-91236=712144110 Audi,WV скорости	HK22-33-19
F-91916=F-203215=717001300 MAN,VOLVO скорости	NA33-48-15
F-92082=722046910 IVECO,Mercedes,ZF скорости	K88-96-24.5
F-92734	NA41.3-63.5-32
F-92786.1=723002700	HK27-34-16
F-92787.1=723002800	HK27-34-20
F-92889=723011100	HK45-55-22
F-93487=712040600 Audi,WV скорости	RNU25-37/50.5-20.8
F-94297=712041500 Ford скорости	NA32-58-21
F-94993=F-53022=F-30866=F-89013=310-3053	RNA14-20-31 Oem.A0109816010
F-95117.2=712042410 Ford скорости	RNU27.7-52-15
F-95906.1=712042710 OPEL,WV скорости	K24-28-24
F-96126=712042910=F-84700 Audi,WV скорости	RNA28.1-37-28.15
0735321451 ZF=42535002 IVECO скорости	K58-66-33
0735321450 ZF=42534980 IVECO скорости	K49-55-32
0735321449 ZF=42534986 IVECO скорости	K40-48-32
0735358128 ZF=98530165 RENALT скорости	K31-46-27.2
0735295119 ZF=95532417 RENALT скорости	IR25-31-26
GENER.CS.140773=F-392379	BK17-23.8-17
GENER.CS.140241=F-65477	BK17-23.8-20.6
60/22 2RS C3	SE22-44-12
60/28 2RS	SE28-52-12
60/28 2RS.NR	SE28-52-12
60/32 2RS	SE32-58-13
620/22 AJG14J30A	SE22-50-14
62/22 2RS = BB1-0596=TMB 2/22 CCS15	SE22-50-14
62/28	SE28-58-16 oem.43295-33040
62/28 NR	SE28-58-16
62/28 2RS	SE28-58-16
62/32 2RS	SE32-65-17
63/22	SE22-56-16
63/22 NR.C3	SE22-56-16
63/22 2RS	SE22-56-16
63/28 NR.C3	SE28-68-18
63/28 2RS	SE28-68-18
63/32 NR C3	SE32-75-20
63/32 2RS	SE32-75-20
63/32 2RS NR	SE32-75-20
949100-3190	SE15-43-13
949100-2790	SE15-35-13
949100-3330	SE17-52-16
949100-3360	SE15-46-14
949100-3480	SE15-38-19
949100-3820	SE15-52-16
949100-3660	SE15-32-11
1622 2RS	SA14.287-34.928-11.125
1623 2Z = 99502H	SA15.875-34.925-11.112
17287 2RS	SA17-28-7
B8-74 D	SE8-22-11

B8-79 D с зегерка	SE8-23-11
B8-85 D 12DNC с зегерка	SE8-23-14
B8-23 D без зегерка	SE8-23-14
B10-46 D с зегерка	SE10-23-11
B10-50 D с зегерка	SE10-27-11
B10-50 TT без зегерка	SE10-27-11
B10-27 D без зегерка	SE10-27-14
B12-57 D с зегерка	SE12-32-13
B15-69 D с зегерка	SE15-35-13
B15-69 T12DDWWN без зегерка	SE15-35-13
B15-70 A T1X GR DDG6-G01=6002 2RS/11	SE15-32-11
B15-83 D	SE15-47-18
B15-86 DW33=TMB303LLV-G/15V69=6303/15 2RS	SA15-47-14
B17-47 D с зегерка	SA17-47-24
B17-116 D	SA17-52-18
B17-127 = 6403/20 2RS	SA17-62-20
B20-122 2RS	SA20-47-16
B22-19 C3	SA22-62-17
22TM06 C3 2RS=B22-19=TMB305CLLA/22C3	SA22-62-17
BB1-0903 2RS	SA25-68-18
B25-139C3=F-566684.01	SA25-68-18
B25-157 A-A-CG14	SA25-68-18
B25-157 2RS	SA25-68-21
B25-163ZNXC3=25TM21NX=90363-25067	SA25-60-27/19
B25-164AZNXC3=25BIW06GZN3 TOYOTA скорости	SA25-60-25/17 оем.90363-25034
B25-63HL1DDA	SA25-63-18
B30-39 GC4 2RS	SA30-62-24/16
B30-126 NRC3 2RS = 30BC07S1NRC3	SA30-75-20
30BCS19 2RS=BB1B363171CS=566094	SA30-75-20
B30-120 C3.N	SA30-80-21 оем.90363-30014
TMB215X2/78C3UOZ	SA78-130-25
ИГЛЕНИ РАДИАЛНИ ЛАГЕРИ	РАЗМЕРИ
NB101	RNA17-23.8-17.4
NB102	RNA11-17.5-16.5
NB103	RNA18-24-12
NB104	RNA17-23.8-17.4
NB105	RNA11-17.5-16.5
NB106	RNA11.15-15.88-12.7
NB107	RNA17-23.85-18.5
NB108	RNA6-10-8
NB109	RNA17-23.8-31.5
NB110	RNA19-25.4-14

NB111	RNA29.5-36.5-13.4
HK0306 T2	RNA3-6.5-6
HK0408 T2	RNA4-8-8
HK0509 T2	RNA5-9-9
HK0608 B	RNA6-10-8
HK0609 T2	RNA6-10-9
BA47 = SCE47	RNA6.35-11.11-11.13
HK0709	RNA7-11-9
BHA57 ZOM	RNA7.938-14.23-11.112
HK0808	RNA8-12-8
HK0810	RNA8-12-10
HK0812	RNA8-12-12
HK0812 2RS	RNA8-12-12
HMK0815=TA0815	RNA8-15-15
HK0908	RNA9-13-8
HK0910	RNA9-13-10
HK0912	RNA9-13-12
HMK0916=TA0916	RNA9-16-16
HK1010 B	RNA10-14-10
HK1012 B=F-86790	RNA10-14-12
HK1015	RNA10-14-15
68046137=HK101512	RNA10-15-12
HK101515	RNA10-15-15
HK101610	RNA10-16-10
DL1012	RNA10-16-12
HK101616	RNA10-16-16
HMK1010=TA1010	RNA10-17-10
B-78	RNA11.15-15.88-12.7
HK1210	RNA12-16-10
HK121712=HKS12x17x12	RNA12-17-12
HK1212	RNA12-18-12
HK1214 RS	RNA12-18-14
HK1216	RNA12-18-16
HK1216 2RS	RNA12-18-16
HMK1212=TA1212	RNA12-19-12
HMK1215=TA1215	RNA12-19-15
B-88=SCE88	RNA12.7-17.46-12.7
B-812	RNA12.7-17.46-19.05
HKS13.5x19x12-2 PX2	RNA13.5-19-12
TLA1312 = HK1312	RNA13-19-12
HK1410	RNA14-20-10
HK1412	RNA14-20-12
HK1414 RS	RNA14-20-14
TNB44261 S01=HKS14x21x18.2	RNA14-21-18.2
HMK1416	RNA14-22-16
HK1512	RNA15-21-12
DL1512	RNA15-21-12
HK1514	RNA15-21-14
HK1514 RS	RNA15-21-14
HK1516 = F-235975.1	RNA15-21-16
HK1516 2RS = F-235975.1	RNA15-21-16
HK1520 2RS	RNA15-21-20

HK1522 ZWD	RNA15-21-22
HMK1512=TA1512	RNA15-22-12
HMK1520=TA1520	RNA15-22-20
HKS15.8x20.6x19-1	RNA15.8-20.6-19
SCE108=B-108	RNA15.875-20.638-12.7
B-108=SCE108	RNA15.875-20.638-12.7
BH-1010	RNA15.875-22.212-15.88
HK1612	RNA16-22-12
HK1614	RNA16-22-14
HK1614 RS	RNA16-22-14
HK1616	RNA16-22-16
HK1616 2RS	RNA16-22-16
HK1622 ZW	RNA16-22-22
HMK1616=TA1616	RNA16-24-16
HMK1620=TA1620	RNA16-24-20
HK1712	RNA17-23-12
HMK1715=TA1715	RNA17-24-15
HMK1720=TA1720	RNA17-24-20
HMK1725=TA1725	RNA17-24-25
HK172514 RS = 17BKM2514	RNA17-25-14
HKS17x25x18 RS=310-8079=F-222625	RNA17-25-18
BA1112ZOH=SCE1112	RNA17.462-22.225-19.05
HK1812	RNA18-24-12
HK1814 RS	RNA18-24-14
HK1816	RNA18-24-16
HMK1815=TA1815	RNA18-25-15
HMK1916=TA1916	RNA19-27-16
B-128ZOH=SCE128	RNA19.05-25.4-12.7
B-1210ZOH=BA1210ZON=SCE1210	RNA19.05-25.4-15.88
B-1212ZON=BA1212ZOH=SCE1212	RNA19.05-25.4-19.05
TNB44264 S01=HKS20x24x15.2=FZ21196F3A	RNA20-24-15.2
HK2010	RNA20-26-10
HK2012	RNA20-26-12
HK2014	RNA20-26-14
DL2016	RNA20-26-16
HK2016	RNA20-26-16
HK2016 2RS	RNA20-26-16
HK2018	RNA20-26-18
HK2018 RS	RNA20-26-18
HK2020	RNA20-26-20
HK2020 2RS	RNA20-26-20
HK2030	RNA20-26-30
HMK2015=TA2015	RNA20-27-15
HMK2020=TA2020	RNA20-27-20
HMK2025=TA2025	RNA20-27-25
HMK2030=TA2030	RNA20-27-30
HK202918 RS=HKS20x29x18-1PX=F-222330.01	RNA20-29-18
HK2210	RNA22-28-10
HK2212	RNA22-28-12
HK2214	RNA22-28-14
HK2216	RNA22-28-16
HK2216 2RS	RNA22-28-16

HK2218 RS	RNA22-28-18
HK2220	RNA22-28-20
HK2220 2RS	RNA22-28-20
HMK2220=TA2220	RNA22-29-20
HMK2225=TA2225	RNA22-29-25
HMK2230=TA2230	RNA22-29-30
HKS22x31x15-1PX	RNA22-31-15
B-1412=BA1412=SCE1412=J-1412	RNA22.2-28.58-19.05
B-1416=BA1416=SCE1416=J-1416	RNA22.2-28.58-25.4
TNB44263 S01=HKS23x27.5x15.2=FZ31196F3	RNA23-27.5-15.2
HMK2420=TA2420	RNA24-31-20
HK2512	RNA25-32-12
HK2516	RNA25-32-16
HK2516 2RS	RNA25-32-16
HK2518	RNA25-32-18
HK2520	RNA25-32-20
HK2520 2RS	RNA25-32-20
DL2520	RNA25-32-20
HK2526	RNA25-32-26
HK2530	RNA25-32-30
HKS25x32x33=HK2533	RNA25-32-33
HK2538=HKS2538	RNA25-32-38
HMK2512=TA2512	RNA25-33-12
HMK2515=TA2515	RNA25-33-15
HMK2520=TA2520	RNA25-33-20
HMK2525=TA2525	RNA25-33-25
HMK2530=TA2530	RNA25-33-30
BA166ZOH=SCE166=BT166	RNA25.40-31.75-9.525
BA1612ZOH=SCE1612=SCH1612	RNA25.40-31.75-19.05
BH1616ZOH=SCH1616	RNA25.40-33.34-25.40
BH1620ZOH=SCH1620	RNA25.40-33.34-31.75
HMK2620=TA2620	RNA26-34-20
HK2720=HV27x34x20 VQ143	RNA27-34-20
HK2816	RNA28-35-16
HK2820 B	RNA28-35-20
HK2825=TLA283525=HKS28x35x25	RNA28-35-25
HK2830=HKS28x35x30	RNA28-35-30
HMK2820=TA2820	RNA28-37-20
HMK2830=TA2830	RNA28-37-30
28BHM3730= Oem.4223220504 TOYOTA	RNA28-37-30
BA188ZOH=B-188=SCE188	RNA28.575-34.925-12.7
HK3012	RNA30-37-12
HK3016	RNA30-37-16
HK3016 2RS	RNA30-37-16
HK3018 RS	RNA30-37-18
HK3020	RNA30-37-20
HK3020 2RS	RNA30-37-20
HK3022	RNA30-37-22
HK3024	RNA30-37-24
HK3024 2RS	RNA30-37-24
HK3026	RNA30-37-26
HKS30x37x34	RNA30-37-34

HK3038	RNA30-37-38
HMK3013=TA3013	RNA30-40-13
HMK3015=TA3015	RNA30-40-15
HMK3020=TA3020	RNA30-40-20
HMK3030=TA3030	RNA30-40-30
BA208ZOH=B-208	RNA31.75-38.1-12.7
BA2012ZOH=B-2012=SCE2012	RNA31.75-38.1-19.05
BA2016ZOH=B-2016=SCE2016	RNA31.75-38.1-25.40
BA2020ZON=B-2020=SCE2020	RNA31.75-38.1-31.75
BH-2016	RNA31.75-41.28-25.4
2236481=MR20 SS	RNA31.75-44.45-31.75
HK323934=HKS32x39x34	RNA32-39-34
HMK3220=TA3220	RNA32-42-20
HMK3230=TA3230	RNA32-42-30
HKS33x38x8	RNA33-38-8
B-2110=NB-2110	RNA33.325-41.275-15.8
BA228ZOH=SCE228	RNA34.92-41.28-12.7
B-2212	RNA34.92-41.28-19.05
B-2216	RNA34.92-41.28-25.4
B-2220	RNA34.92-41.28-31.75
BH-2212	RNA34.92-44.45-19.05
BH-2216	RNA34.92-44.45-25.4
BSM354126AJ TOYOTA диференциал	RNA35-40.5-26 Oem.690364-T0009=90364-35010
HK3512	RNA35-42-12
HK3516	RNA35-42-16 oem.712030810
HK3516 2RS	RNA35-42-16
HK3518	RNA35-42-18
HK3518 RS	RNA35-42-18
HK3520	RNA35-42-20
HK3520 2RS	RNA35-42-20
HMK3530=TA3530	RNA35-45-30
GTR354830	RNA35-48-30
HMK3720=TA3720	RNA37-47-20
HMK3730=TA3730	RNA37-47-30
HMK3820=TA3820	RNA38-48-20
SCE2416=J-2420=BA2416ZOH	RNA38.1-47.625-25.4
B-2420=J-2420=BA2420ZOH	RNA38.1-47.625-31.75
HK4012	RNA40-47-12
HK4016	RNA40-47-16
HK4016 2RS	RNA40-47-16
HK4018 RS	RNA40-47-18
HK4020	RNA40-47-20
HK4020 2RS	RNA40-47-20
DL4016	RNA40-48-16
DL4020	RNA40-48-20
HMK4015=TA4015	RNA40-50-15
HMK4020=TA4020	RNA40-50-20
HMK4030=TA4030	RNA40-50-30
HMK4040=TA4040	RNA40-50-40
BA2616 ZOH=J-2616=SCE2616=B-2616	RNA41.28-50.8-25.4
B-2812	RNA44.45-53.975-19.05
HK4512	RNA45-52-12

HK4516	RNA45-52-16
HK4520	RNA45-52-20
HMK4520=TA4520	RNA45-55-20
HMK4525=TA4525	RNA45-55-25
HMK4530=TA4530	RNA45-55-30
HMK4540=TA4540	RNA45-55-40
DL5020	RNA50-58-20
HK5022 RS	RNA50-58-22
HK5025=F-218717=723005500	RNA50-58-25
HMK5012=TA5012	RNA50-62-12
HMK5015=TA5015	RNA50-62-15
HMK5020=TA5020	RNA50-62-20
HMK5025=TA5025	RNA50-62-25
B-3424	RNA53.975-63.50-38.10
HK5520	RNA55-63-20
HK5528	RNA55-63-28
TA5520 Z	RNA55-67-20
HK6012	RNA60-68-12
BK0306 TV	RNA3-6.5-6
BK0408	RNA4-8-8
BK0509	RNA5-9-9
BK0609	RNA6-10-9
BK0709	RNA7-11-9
BK0808	RNA8-12-8
BK0810	RNA8-12-10
BK0910	RNA9-13-10
BK0912	RNA9-13-12
BK1010	RNA10-14-10
BK1015 = ZF0635303019 IVECO скорости	RNA10-14-15
BK1210	RNA12-16-10
BK1312	RNA13-19-12
BK1412	RNA14-20-12
BK1512	RNA15-21-12
BK1516	RNA15-21-16
BK1614 RS	RNA16-22-14
BK1616	RNA16-22-16
BK1712	RNA17-23-12
BK1812	RNA18-24-12
BK1816	RNA18-24-16
BK2012	RNA20-26-12
BK2016	RNA20-26-16
BK2020	RNA20-26-20
BK2212	RNA22-28-12
BK2216	RNA22-28-16
BK2220	RNA22-28-20
BK2516=F-54682	RNA25-32-16
BK2518 RS	RNA25-32-18
BK2526	RNA25-32-26
BK2538 ZWD	RNA25-32-38
BK3020	RNA30-37-20
BK3026	RNA30-37-26
BK3038	RNA30-37-38

ВК4020	RNA40-47-20
ИГЛЕНИ АКСИАЛНИ ЛАГЕРИ	РАЗМЕРИ
81102 TN	АХК15-28-9 ИГЛЕН КАФЕЗ+ШАЙБИ
WS81102	AS15-28-2.8 ПОДЛОЖНА ШАЙБА
K81102	АХК15-28-9 ИГЛЕН КАФЕЗ
K81103 TN	АХК17-30-3.5 ИГЛЕН КАФЕЗ
WS81103	АХК17-30-2.75 ПОДЛОЖНА ШАЙБА
K81104 TN	АХК20-35-4.5 ИГЛЕН КАФЕЗ
WS81104	AS20-35-2.75 ПОДЛОЖНА ШАЙБА
81105	АХК25-42-11 ИГЛЕН КАФЕЗ+ШАЙБИ
81106 M	АХК30-47-11 ИГЛЕН КАФЕЗ+ШАЙБИ
81107	АХК35-52-12 ИГЛЕН КАФЕЗ+ШАЙБИ
K81107	АХК35-52-5 ИГЛЕН КАФЕЗ
WS81107	AS35-52-3.5 ПОДЛОЖНА ШАЙБА
81108 M	АХК40-60-13 ИГЛЕН КАФЕЗ+ШАЙБИ
81110 M	АХК50-70-14 ИГЛЕН КАФЕЗ+ШАЙБИ
81114 TN	АХК70-95-18 ИГЛЕН КАФЕЗ+ШАЙБИ
81118 TN	АХК90-120-22 ИГЛЕН КАФЕЗ+ШАЙБИ
81206 TN	АХК30-52-16 ИГЛЕН КАФЕЗ+ШАЙБИ
K81207 TN	АХК35-62-7.5 ИГЛЕН КАФЕЗ
WS81207	AS35-62-5.25 ПОДЛОЖНА ШАЙБА
81208 TV	АХК40-68-19 ИГЛЕН КАФЕЗ+ШАЙБИ
81209 TN	АХК45-73-20 ИГЛЕН КАФЕЗ+ШАЙБИ
81218 M	АХК90-135-35 ИГЛЕН КАФЕЗ+ШАЙБИ
АХК0414 TV	АХК4-14-2 ИГЛЕН КАФЕЗ
AS0414	AS4-14-1 ПОДЛОЖНА ШАЙБА
АХК0515 TV	АХК5-15-2 ИГЛЕН КАФЕЗ
AS0515	AS5-15-1 ПОДЛОЖНА ШАЙБА
АХК0619 TV	АХК6-19-2 ИГЛЕН КАФЕЗ
AS0619	AS6-19-1 ПОДЛОЖНА ШАЙБА
NTA411	АХК6.35-17.475-1.981 ИГЛЕН КАФЕЗ
TRA411	AS6.35-17.45-0.79 ПОДЛОЖНА ШАЙБА
NTA512	АХК7.92-19.05-1.984 ИГЛЕН КАФЕЗ
TRA512	AS7.92-19.05-0.79 ПОДЛОЖНА ШАЙБА
АХК0821 TN	АХК8-21-2 ИГЛЕН КАФЕЗ
AS0821	AS8-21-1 ПОДЛОЖНА ШАЙБА
LS0821	AS8-21-2.75 ПОДЛОЖНА ШАЙБА
TRB613	AS9.53-20.62-1.6 ПОДЛОЖНА ШАЙБА
АХК1024	АХК10-24-2 ИГЛЕН КАФЕЗ
AS1024	AS10-24-1 ПОДЛОЖНА ШАЙБА

LS1024	AS10-24-2.75 ПОДЛОЖНА ШАЙБА
NTA815 = TC-815	АХК12.8-23.50-1.984 ИГЛЕН КАФЕЗ
TRA815	AS12.8-23.50-0.79 ПОДЛОЖНА ШАЙБА
АХК1226	АХК12-26-2 ИГЛЕН КАФЕЗ
AS1226	AS12-26-1 ПОДЛОЖНА ШАЙБА
LS1226	AS12-26-2.75 ПОДЛОЖНА ШАЙБА
NTA916	АХК14.27-25.4-1.984 ИГЛЕН КАФЕЗ
TRB916	AS14.27-25.4-1.6 ПОДЛОЖНА ШАЙБА
АХК1528	АХК15-28-2 ИГЛЕН КАФЕЗ
AS1528	AS15-28-1 ПОДЛОЖНА ШАЙБА
LS1528	AS15-28-2.75 ПОДЛОЖНА ШАЙБА
NTA1018	АХК15.88-28.575-1.984 ИГЛЕН КАФЕЗ
АХК1730	АХК17-30-2 ИГЛЕН КАФЕЗ
AS1730	AS17-30-1 ПОДЛОЖНА ШАЙБА
LS1730	AS17-30-2.75 ПОДЛОЖНА ШАЙБА
NTA1220	АХК19.05-31.75-1.981 ИГЛЕН КАФЕЗ
TRA1220	AS19.05-31.75-0.831 ПОДЛОЖНА ШАЙБА
TRB1220	AS19.05-31.75-1.6 ПОДЛОЖНА ШАЙБА
АХК2035	АХК20-35-2 ИГЛЕН КАФЕЗ
AS2035	AS20-35-1 ПОДЛОЖНА ШАЙБА
LS2035	AS20-35-2.75 ПОДЛОЖНА ШАЙБА
NTA1423	АХК22.225-36.5-1.984 ИГЛЕН КАФЕЗ
TRA1423	AS22.225-36.5-0.79 ПОДЛОЖНА ШАЙБА
АХК2542	АХК25-42-2 ИГЛЕН КАФЕЗ
AS2542	AS25-42-1 ПОДЛОЖНА ШАЙБА
LS2542	AS25-42-3 ПОДЛОЖНА ШАЙБА
NTA1625	АХК25.4-39.67-1.98 ИГЛЕН КАФЕЗ
TRA1625	AS25.4-39.67-0.79 ПОДЛОЖНА ШАЙБА
TRB1625	AS25.4-39.67-1.6 ПОДЛОЖНА ШАЙБА
АХК28.70-45.60-3	АХК28.7-45.60-3 ИГЛЕН КАФЕЗ
TRB1828	AS28.6-44.45-1.6 ПОДЛОЖНА ШАЙБА
АХК3047	АХК30-47-2 ИГЛЕН КАФЕЗ
AS3047	AS30-47-1 ПОДЛОЖНА ШАЙБА
LS3047	AS30-47-3 ПОДЛОЖНА ШАЙБА
NTA2031	АХК31.57-49.212-1.984 ИГЛЕН КАФЕЗ
TRA2031	AS31.57-49.212-0.81 ПОДЛОЖНА ШАЙБА
TRB2031	AS31.57-49.212-1.6 ПОДЛОЖНА ШАЙБА
АХК3552	АХК35-52-2 ИГЛЕН КАФЕЗ
AS3552	AS35-52-1 ПОДЛОЖНА ШАЙБА
LS3552	AS35-52-3.5 ПОДЛОЖНА ШАЙБА
NTA2435	АХК38.1-55.562-1.984 ИГЛЕН КАФЕЗ
TRA2435	AS38.1-55.575-0.79 ПОДЛОЖНА ШАЙБА
TRB2435	AS38.1-55.575-1.6 ПОДЛОЖНА ШАЙБА
АХК4060	АХК40-60-3 ИГЛЕН КАФЕЗ
AS4060	AS40-60-1 ПОДЛОЖНА ШАЙБА
LS4060	AS40-60-3.5 ПОДЛОЖНА ШАЙБА
NTA2840	АХК44.45-63.5-1.984 ИГЛЕН КАФЕЗ
TRA2840	AS44.45-63.5-0.813 ПОДЛОЖНА ШАЙБА
TRB2840	AS44.45-63.5-1.6 ПОДЛОЖНА ШАЙБА
АХК4565	АХК45-65-3 ИГЛЕН КАФЕЗ
AS4565	AS45-65-1 ПОДЛОЖНА ШАЙБА
LS4565	AS45-65-4 ПОДЛОЖНА ШАЙБА

PHU2012=800179D=R157.20	SD30-120-62 с венец за ABS с 5 отвора
PHU2018=R169.63=R169.65	SA0-135-80.8 - 4 болта
PHU2019=R169.51	SA0-135-100 - 4 болта
PHU2025=R168.34	SA27-134-83 - 4 болта
PHU2136=R184.71	SA0-148-116 - 5 болта
PHU2165=R184.02	SA28-139-50.5 - 4 болта
PHU2178=R174.55=TGB35106	SA30-152-68.5 - 4 болта със ABS
PHU2191=R184.21	SA0-148-113- 4 болта
PHU2194=R184.15=R184.16	SA32-139-64 - 4 болта
PHU2210=R169.30=VKBA3930	SA0-135-100 - 4 болта
PHU2217=R169.65=VKBA6851	SA0-135-80.8 - 5 болта със ABS
PHU2371=R169.76=VKBA6828	SA0-135-60 със ABS
PHU3030=R170.23	SA30-122-69 - 4 болта
PHU3080=R174.29=TGB35279	SA30-152-86 - 4 болта
PHU3084=R186.22	SA31-153-88 - 5 болта
H1Y011=PHU3084=R186.22	SA31-153-88 - 5 болта
PHU3084=R186.22	SA31-153-88 - 5 болта
PHU3098=R174.28	SA43-119-42.5 - 4 болта
PHU3111=R150.20	SA37-139-63.85 - 4 болта
PHU3158	SA31-153-91 - 5 болта
PHU3159	SA31-164-91 - 5 болта
PHU3193	SA41-147.8-54.6 с ABS
PHU3585=R159.42=VKBA3585=XGB40540.S08	SA25-129.1-59
PHU51000=R153.48=VKBA3651	SA25-137-85
PHU55200=R184.56=R184.57	SA28-140-50.5 - 4 болта
PHU56000=R169.42	SA38-116-58 - 4 болта
PHU56010=DU5496-5=opr.№-90080-37030=R141.18	SA54-96/100-51 - 4 болта със ABS
PHU57000=R173.56=VKBA7451	SA31-88-62
PHU58000	SA51-112-55
PHU60001=R166.27=VKBA3481=TGB40540.S06	SA25-129.1-65
801344AA=R154.44=VKBA3489	SD0-130-127 с 5 отвора
BAR-0029C=R153.22	SA0--136-139
BAR-0042AB/D=R153.27	SA0-139.8-155 5 болта
BAR-0183 = HUB136T-4 = R152.69	SA0-136-99 5 болта
52750-1C000H0089=R184.17	SA0-140-108 4 болта
803636CE с 20 шлицы	SD23-66/120-83
GB10865.S01	SA24.5-62/67.2-27.4/24.5
DAC255200206=617546A	SA25-52-20.6
DAC25520037=445539=R159.19=R159.38	SA25-52-37
546467=FC40570=VKBA3525	SA25-52-37
FC40570=546467=R155.63=VKBA3525	SA25-52-37
FC12025=R166.07	SA25-52-37
DAC25520042=R153.36	SA25-52-42
DAC25520043	SA25-52-43
FC12180=VKBA975	SA25-52-43
FC12271.S03=DAC25550043=R155.58	SA25-55-43
DAC25550045=FC40858S01	SA25-55-45
FC40858.S03=VKBA3639	SA25-55-45
FC41288.S04=R155.78=VKBA3676	SA25-55-48
PW255500535CSHD=R151.44=VKBA6508	SA25-55-53.5
PW25560032CS=R166.15=VKBA1328	SA25-56-32
DAC25560032=BAH-5000AA=VKBA3557	SA25-56-32

FC41245=BTH-1209=R159.48=VKBA3680	SA25-60-45
FC40725=VKBA3612=KF155.73U	SA25-62-48
390905 A=FC10558 V=35305R Renault / Dachia – скорости	LM25-67/75-40 Oem.7703090181
TGB40540.S05=R166.30	SA25-129.1-59
XTGB40540.S08.P=R159.42	SA25-129.1-59
XTGB40917.S11.P=R166.32	SA25-129.1-59
TGB40540.S03=R159.39	SA25-129.1-69
TGB12095.S42=R155.60	SA25-133-54
TGB12095.S45=R155.26	SA25-133-54
XTGB40484.P=R155.67	SA25-133-54
XTGB40485.P=R155.66	SA25-133-54
XTGB40487.P=R155.55	SA25-133-54
TGB12095.S44=R155.40	SA25-133-73
TGB12095.S46=R155.47	SA25-133-73
TGB12095.S48=R155.46	SA25-133-73
TGB12096.S41	SA25-133-73
TGB12096.S42=R155.28	SA25-133-73
TGB12096.S45=R155.42	SA25-133-73
TGB40266.S01=R155.50	SA25-133-73.60
TGB40267.S01=R155.51	SA25-133-73.60
TGB12095.S49=R155.56	SA25-133-80
SB3M512=R152.62	SA26.41-78/131.3-37-92
DAC27530043=FC40650 S01	SA27-53-43
DAC27600050	SA27-60-50
803640CD=R157.32=VKBA3569	SA27-72-127-82/37
XHGB35135=R154.61=VKBA6556=HUB225T	SA27.5-136.4-84 със ABS
DAC28580042=28BWD03=R177.14	SA28-58-42 Oem.09267-28002
DAC28582RKCS47=VKBA1979	SA28-58-42
DAC28610042=28BWD01ACA60	SA28-61-42
FC12540.H100	SE28-73/81-48
28BWK12=R169.39	SA28-117-52
6X0501477=R154.45	SA28-120-62
SWH2812002=801191AD=BAF-0158=R157.31	SA28-120-63
HUB008-72=R174.19=H28BVV10	SA28-134-80
52710-25100=R184.08	SA28-140-65 със ABS
IJ12006 = VKBA3794 = R184.28	SA28-139-65
52710-29450= R184.10	SA28-139-65
801023=DAC29530037=R152.56=VKBA3532	SA29-53-37
PW30540024CS/2RS=DE0681CS18	SA30-54-24
DAC3055C2RKCD3	SA30-55-26
DAC30550032CS ATV главина	SA30-55-32
FC35140=TU0601	SA30-55-56
DAC30580042	SA30-58-42
BA2B633313=BA2B633667=529891=VKBA559	SA30-60-37
PW30600337=545312=GB10790	SA30-60.03-37
FC41645=FC40696=R159.53	SA30-62-48
FC41722.S01	SA30-62-48
FC41394=R159.54=VKBA6549	SA30-62-51
DAC30630042	SA30-63-42
DAC30650021=522372=CBK086	SA30-65-21
30BWD04A	SA30-68-45
TGB40490=R158.22=BAF-0013	SA30-117-60.85

DAC3011761.3=R158.21=BAFB633807	SA30-117-60.85
800179D=R157.20=VKBA3456	SD30-120-62
800179D=R182.61=VKBA3570	SD30-120-62
TGB40189.S05=R159.32=VKBA3424	SA30-120-69.30
XTGB42015R00=R154.55=VKBA3656	SA30-132-68 (5 болта) със ABS
TGB12933.S01=R155.48=VKBA3471	SA30-133-74.5 със ABS
BAR-0045B/A=R153.23=VKBA3409	SA30-136-85.3
BAF-4093B=R165.22=VKBA3458	SA30-140-72
TGB35448=R168.81=VKBA3274	SA30-148-73
805201BB=R154.58=R154.62=VKBA3646	SD30-85/143-45/102
561948AEZ72=R150.17 =VKBA3665	SA31-120-61 със ABS
BAFB309981=VKBA3665=R150.17	SA31-120-61 със ABS
BAFB309971=VKBA938=R150.15	SA31-120-61 без ABS
805657=R154.56=BAR-0088=713610610=VKBA3643	SA31-136-84
IJ113019 = VKBA7437 = R190.11	SA31-151-87 предна главина със ABS
DAC3267W-2CS35	SA32-67-40
IR8064=R159.22	SA32-128-58
IR8064=TGB12894=R159.15=VKBA743	SA32-129.10-58
TGB40175.S05=R166.24=VKBA3477	SA32-129.10-59
TGB40175.S06=R166.23=VKBA3478	SA32-129.10-59 със ABS
TGB40175.S08=R159.33=VKBA3482	SA32-129.10-59 със ABS
XTGB40175.S12P=R166.31=VKBA3594	SA32-129.10-59 със ABS
XTGB41525.P=R159.51=VKBA3698	SA32-130-57 със ABS
TGB40760S07=R157.27=VKBA3606	SA32-130.85-69.35
XTGB41161.S02P=R154.54=VKBA3644	SA32-136.5-77.2
XTGB41842.R01=R157.44=VKBA6650	SA32-141.8-70.5
DAC34620037=BAHB311316=GB10884	SA34-62-37
DAC34640037=309726	SA34-64-37
803647=532066	SA34-64-37
DAC34660037=BAHB636114=580400	SA34-66-37
PW34670037 CS=803775	SA34-67-37
DAC34680037	SA34-68-37
DAC3468 2RS	SA34-68-42
IJ113020 = VKBA7439 = R190.12	SA34-151-102 със ABS
DAC3562AW-1CS	SA35-61.80-31
PW35620040=R153.35=R177.37	SA35-61.80-40
EC-DF0774LLAXPX	SA35-62-33.5/29.5
DAC35620040=DAC3562W-5CS=AU0706-3LXL	SA35-62-40
DAC3564 2RS=R179.13=AU0704-2LLX2L	SA35-64-37
DAC35650035=FC12033=R155.12	SA35-65-35
546238=GB12438.S01=FC12033.S01	SA35-65-35
DAC35650037=AU0716-2LL/L5	SA35-65-37
DAC35660032=BAH-5001A=R166.14	SA35-66-32
DAC35660033=BAH-0015=GB12306.S02=R158.25=VKBA1401	SA35-66-33
DAC35660037=BAHB311309=GB12136 R01	SA35-66-37
581010=GB12136=BAH-0023	SA35-66-37
DAC35680033/30	SA35-68-30/33
GB35010=35WD16-JB=BAH-0039=VKBA3703	SA35-68-36/39
DAC35680037=BAHB633528=GB10840=541153=GB12132	SA35-68-37
BTHB1861887A/Q	SA35-68-45
PW35680048CSHD=R155.70=FC40772.S03=VKBA3617	SA35-68-48
PW35680050CSHD=BTHB1861887=R141.40	SA35-68-50

PW35720022/165CS=R177.11	SA35-72-17/22
DAC35720028=544033=BA2B441832	SA35-72-28
DAC357233B-1W	SA35-72-31/33
XGB40714.P=R158.44=VKBA3538=VKBA6539	SA35-72-33 със ABS
DAC35720033=BA2B446762=BAHB633670=548083=BAH0013=GB407	SA35-72-33
DAC35720034	SA35-72-34
FC10592.S05 борд	LM35-80-31/43.5
BAFB633555	SA35-116-65
DAC36680033=R177.06	SA36-68-33
DAC36720034=DE0769CS46PX	SA36-72-34
PW37720033CS=GB40547	SA37-72-33
PW37720033CSM=R159.58=R166.03	SA37-72-33 със ABS
XGB40547.S01=XGB44001.S01	SA37-72-33 със ABS
DAC37720033=BAH-0051=GB40547	SA37-72-33
562398=DAC37720037=GB40706	SA37-72-37
XGB40706.R00=BAH-0055=VKBA3539	SA37-72-37 със ABS
XGB41140.R=VKBA3637	SA37-72.04-37 със ABS
562398=GB12807	SA37-72.04-37
XGB40721=R158.54=VKBA3598	SA37-74-37 със ABS
DAC37740045=541521=309946	SA37-74-45
561935AEZ=BAFB447318B=R150.22=R150.35	SA37-139-64 със ABS
562583DAZ72=R150.20=BAFB446420	SA37-139-64
576681EA	SD37-139-64.5
46T080705CCS33=R181.10=VKBA3236	SA38-65-48/52
PW38690039/34CSM	SA38-69-34/39 със ABS
DAC38700037	SA38-70-37
DAC38700038=DE08A32LLX3CS	SA38-70-38
DAC3870DWCS41	SA38-70-39
DAC38710233/30	SA38-71.02-30/33
DAC38710039=R169.29=38BWD22CA96	SA38-71-39
DAC38720034=DE0869CS46PX2	SA38-72-34
DAC3872W-8CS81=38BWD12CA133	SA38-72-33/36
DAC3872W-10CS42=DE0871LLCS26=R174.13	SA38-72-40
DAC38730040=R174.14=XGB41135	SA38-73-40
DAC3874036/33=574795=DE08A33CS38PX=R169.28	SA38-74-33/36
WB38740050=DE0892LLCS43	SA38-74-50
DAC39680037=540733=BA2B309692	SA39-68-37
DAC39720037=542186=GB12776=R150.23	SA39-72-37
GB41599.R02=542186=R150.23	SA39-72-37
BAHB311396=803646=R150.23	SA39-72-37
801663=DAC3972AWCS49=R152.55	SA39-72-37 със ABS
DAC39740036/34=R184.13	SA39-74-34/36
DAC39740039=GB40037=579557=GB43258.S01=BAH-0043	SA39-74-39 oem.09267-39005
BAH-0043CX=R141.05=R141.06	SA39-74-39 със ABS
567447B=R157.08=R157.25=BAHB633815=GB12399.R07	SA39/41-75-37
DAC407043WCS83	SA40-70-43
DAC40720036	SA40-72-36
DAC407236/33=DAC4072W 3CS3=AU0835-4LXL	SA40-72-33/36
DAC40720037=GB12320.S02=311443B=566719	SA40-72-37
BTH-1024C=R140.13=BTH-1227=VKBA3551	SA40-73-55
DAC40740036=AU0844-1LL	SA40-74-36
DAC4074CWCS73 отворен	SA40-74-34/36

DAC40740040=311443=801136=VKBA3455=GB40997	SA40-74-40
DAC40740042=R169.68=40BWD12CA88	SA40-74-42
DAC407537=BAHB633966=VKBA1480=VKBA3575	SA40-75-37
BAH-0068D=PW40750039CSM=R169.75	SA40-75-37 със ABS
DAC407633/28=539166=474743	SA40-76-28/33
DAC40760041/38=DE0891LLCS32=40BWD05CA60	SA40-76-38/41
DAC40800030.2=3208 2RS=5208 2RS	SA40-80-30.2
DAC40800031	SA40-80-31
DAC4080M1CS68=R173.14	SA40-80-34/36
DAC40800038.2=GB10800=R155.45	SA40-80-38.2
961620=R173.38	SA40-80-40
DAC40800045=46T080805=R173.19=VKBA3325	SA40-80-44/45
DAC4084.02538=R155.44	SA40-84.025-38
DAC408402538=GB40250S01=R155.44	SA40-84-38
GB40919=R155.72	SA40-84.05-39.7
XGB40492.S01P=R155.61=VKBA3492	SA40-84.05-39.7 със ABS
40BW05=R141.43=R141.44	SA40-90-23/28 oem.№90363-T0009
83C056 C4	SA40-90-30.2
8764178=83C381C4=R141.35	SE40-90-31.5
TGB10872.S02=IR8048=R155.11	SA40-108-32/17
DAC4168WHR4CS23=R177.12	SA41-68-35/40
DAC42720038/35=CR1-0881=R181.09=TU0812-5/L244	SA42-72-35/38
DAC42720038=CR1-0822LLCS1	SA42-72-38
545495=256708=309245=BAH-0059=GB12010	SA42-75-37
FC40784.S01=R140.37=VKBA3642	SA42-75-60
DAC42760033CS	SA42-76-33
DAC42760038/35=R168.26=42BWD06JB5CA=AU0815-2	SA42-76-35/38
DAC42760039=CR1-0846CS156=JRM4249/10X=VKBA6591	SA42-76-39
DAC42760040/37	SA42-76-37/40
XGB41930=XGB40880.S01=R155.76=VKBA3638	SA42-77-39 със ABS
DAC42780040=R184.26=VKBA6923	SA42-78-40
DAC428036/34=R184.12	SA42-80-34/36
DAC42800037=BAH-004A=TKR8502=GB12955.S04	SA42-80-37
XGB41793.R01=R155.87=VKBA6682	SA42-80-39 със ABS
BA2B309609=527243=R150.10=VKBA1319	SA42-80-42
DAC42800045=R170.32=VKBA1948=GB35457=AU0801	SA42-80-45
DAC4280W-2CS40	SA42-80-45 със ABS
Y44GB10667=R159.03=VKBA612	SA42-84-34 със ABS
DAC42820036=BA2B446047=561481=GB40574.S01	SA42-82-36
XGB40574.P=BAH-0186=R159.44	SA42-82-36 със ABS
565636=BAHB311413=GB12269	SA42-82-37
42KWD10	SA42-82-40 oem.90080-36217
564727=GB10857=BA2B444090	SD42-84-36
DAC42840036	SA42-84.02-36
DAC42840039=GB10702=GB40549=543359	SA42-84-39
XBGB40600.S02.P=R160.24=R160.25=VKBA3502	SA42-128-37 със ABS
XTFC41460S01=R141.00	SA42-143-104
PW43760043CS	SA43-76-43
PW43780044CSM	SA43-78-44 със ABS
DAC43790041/38=R161.23=DAC4379W-1CS57	SA43-79-38/41
DAC4379W-1CS57	SA43-79-38/41 със ABS
PW43790045CS	SA43-79-45

DAC43800038=R154.42=579943=R154.41	SA43-80-38
XGB35233=R173.27	SA43-80-40 със ABS
DAC43800050/45=43BWD03CA133=DAC4380-ACS69	SA43-80-45/50
DAC43820037	SA43-82-37
DAC43820045=DAC4382W-3CS79=43BWD06	SA43-82-45
DAC43/45820037=BAH-0011D=R157.28	SA43/45-82-37
XBGB40536.R02=R157.40=R157.45	SA43/45-85/127-40 глал. 4 болта със ABS
BGB40536R02=R157.26	SA43/45-85/127-40 глал. 4 болта
PW447208331CS	SA44-72.08-33.1
DAC44825037=GB40246=R159.45	SA44-82.50-37
XGB40246.S07.P	SA44-82.50-37 с ABS
DAC4484CW2RSCS76	SA44-84-40/42
564725=R154.33=R140.97=R140.98	SA45-80-45
XGB40550.S02=R155.07=VKBA3608	SA45-83-39 със ABS
XGB41225.P=R159.47=VKBA3683	SA45-83-44 със ABS
DAC458345=0133042B	SA45-83-45
GB40264.S01=547103=GB12398=R151.07	SA45-84-39
GB40666.R02=VKBA3490=VKBA1412=R159.24	SA45-84-39
DAC4584DWCS82=R184.14=F-806187.01.RDL	SA45-84-39/41
45BWD07CA86SA	SA45-84-40/42
DAC4584W-1CS=HQ45BWD10=R169.62	SA45-84-45
XGB43302.S01=AU0942-2LXL/L588	SA45-84-45 със ABS
PW45840053CSHD=R180.05=180.07=VKBA6736	SA45-84-53
DAC45850041=580191=VKBA6632=R150.42	SA45-85-41
XGB40575.S02=R155.69=VKBA3618	SA45-86-39 със ABS
DAC458741/39	SA45-87-39/41
GB40300.S03=R155.52=VKBA3504	SA45-88-39
BTH-1053B=R141.41	SA45-88-55
580494=R150.29	SD45-88/124-41
BTF-1125B=R152.60=VKBA3588	SA45-110-53
BTF-1210=R141.09=VKBA6525	SA45-115-53
577822=BTFB328755D=VKBA3553=R140.15=713690850	SA45-120-85
FC40096.S05=R155.65=R140.01=VKBA3614	SA45.30-80-48
BAF-0126A=R154.57=VKBA6546=713610480	SA45/47-92/140-42
XGB40907.P=R158.15	SA46-86-39 със ABS
PW47850045CS	SA47-85-45
DU4788	SA47-88-55
DU4788-2LFT	SA47-88-57.34
DAC488642/40=AU1006-3LX2=R174.61	SA48-86-40/42 със ABS
DAC4889W2RSCS94=R141.16=VKBA3919	SA48-89-42/44
DAC49840043=JXC25469C/JXC25469DA	SA49-84-43
DAC49840048=JXC25469DA=BTHB329129=R140.17=R140.85=R141.2	SA49-84-48
FC40240S01=TKR2226=FC40918=R155.64=R140.06=R140.17	SA49-84-48
DAC4984W-12CS47	SA49-84-50
DAC49880046=572506=GB40279S01=49BWD01B=R151.53	SA49-88-46
DAC50900034=ZKLN5090=528514=633007	SA50-90-34
TGB10894.S03=R166.08=VKBA871	SA50-116-36.9
HUB056=VKBA5441=HUR056=201042	SD50-140-95
XGB41688=XGB42562=51BWD01B1CA97=R174.45	SA51-91-44 със ABS
XGB40900.P=R154.10	SA51-96-50 със ABS
DAC52910040	SA52-91-40 със ABS
XGB43469.S01=AU1101-8LX3=R151.50	SA54-90-50 със ABS

DU5496-5=R141.17	SA54-96/100-51 oem.90080-37030 / 90369-T0003
BTH-1215=VKBA6570=578396=R141.45=R141.29	FC55-90-54 със ABS
BTH-1219	SA55-90-55
BTH-1011AB=VKBA3690=201051=R140.14=R141.03=578396A	SA55-90-60
SWH3011901S=BAR0049=R153.32=VKBA3511	SD25.5-119-86 със ABS
805165=566427.H195=VKBA5424	SA58-110-115
DU60108-8=PW601080075CSHD=201050	SA60-108-75
805532=VKBA5407=805532.H105=BTF-068	SD60-168-112
XBGB41500=R157.43=VKBA6649	SD61/62-102/151-40.5 със ABS
581079A=566426.H195=VKBA5425	SA68-125-115
VKBA5314=BTH-0018=JXC25723=NP0789149=201037=571762	SD68-127/132-115
805941=566074.H195	SA70-125-115
BTF-0021=BTF-0110=VKBA5377=201012=801974E.H195=SET1336	SD70-196-132 със ABS
509314W=803194=VKBA5415=NP793154-90UA3=805092C	LM78-130-90
805415A/805479=906541=566193.H195=569868.H195	SA82-138-115
805011C=VKBA5552=BTH-0022=BTH-0055=805003=201034=NP24058	SA82-140-110
BTH-0022=BTH-0055=VKBA5412=805003=201034	SA82-140-115
564734.H195=BTF-0056B=VKBA5549=65836005=343436500	SA82-157/195-113.3
808918=570530.H195	SA88-138-120
NP724254=NP318274=VKBA5397=201059=BTH-0025=BTH-0053	SA90-160-125
92-8007W=800792=566425.H195=BT2-0026=VKBA5423	SA94-148-139
805208W=805052=800525=566283.H195=805008=805880	SA100-148-137
803750=BT2-0130A=VKBA5408	SA105-160-140
804162=VKBA5416	SD110-170-146 със ABS
800308=579065D	SA120-165-123
503809=803904=566830.H195	SA120-175-123
CPM2513=GB40779=722361018	SA200-300-118 Бетоновоз
VKBA310=R158.14	BA2D633293A / главина / 30-116.9-69
VKBA523=R152.02	LM11949/910 + LM67048/010 Сем. 44.45-60.33-9.52
VKBA714=R173.02	LM67048/010 + LM11949/910
VKBA754=R153.24	BAHB311396=803646=GB12776 SA39-72-37
VKBA756=R151.08	LM67048/010 + LM11749/710
VKBA844=R140.42	32010 X/Q – 2бр. Сем.BS63-80-12 – 2бр.
VKBA845=R140.44	32008 X/Q + 32006 X/Q / Сем.BS52-68-10
VKBA906=R154.23=R154.40	BAH-0023=581010 / SA35-66-37
VKBA915=R166.13	BAH-0185 SA42-82-36
VKBA916=R152.30	BT1B332821-2бр./LM38-63-19/Сем.BS53-68-11.75/16
VKBA938=R150.17	BAFB309981 със ABS / SA31-120-61
VKBA959=R140.80	382A/387A + 18790/18720
VKBA961=R159.19=R159.38	BAFB445539=FC12025S09 SA25-52-37
VKBA962=R157.06	BAHB311413 SA42-82-37
VKBA1319=R150.10	BA2B309609 SA42-80-42 зегерка+капачка
VKBA1320=R150.19	BAHB311424=GB12776 SA39-72-37
VKBA1337=R151.12	LM48548/510 + M12649/610 Сем. 50-67.5-8/13.5
VKBA1338=R150.20	BAFB446420 / главина /SA37-139-64
VKBA1347=R151.15	JXC25469 Timken=GB40264S01 SA49-84-43
VKBA1356=R151.11/R151.14/R151.18/R151.24	BAH-0011AB SA43/45-82-37 Зег.А82-2бр. Болт
VKBA1358=R154.28	BAHB311443 SA40-72-37 Зег.А72-2бр
VKBA1361=R168.15	LM31KW01-NSK + LM11949/910
VKBA1379=R174.19	H28BVV10 – NACHI=HUB008 - NTN SA28-134-80
VKBA1459=R150.23	BA2B309639 / главина /
VKBA1487=R160.44	LM45449/410=BT1B328688 / LM11949/910

VKBA3400=R151.21	572506 – FAG=GB40279S01 SD49-88-46
VKBA3403=R153.25	ВАНВ636114 SA34-66-37
VKBA3406=R154.32=R140.97	564725 - FAG SA45-80-45
VKBA3409=R153.23	BAR-0045B SA30-136-85.3 (4 болта)
VKBA3422=R153.22	BAR-0029 SA0-136-139
VKBA3427=R157.16	ВАНВ636214 SA43/45-85-37
VKBA3510=R153.31	BAR-0048 SD29.5-119-84 за 4 болта
VKBA3512=R153.30	BAR-0053 SD29.5-137-86 за 5 болта
VKBA3513=R153.33	BAR-0050 SD26-137-86+Датчик за ABS
VKBA3555=R153.27	BAR-0042 SA0-139.8-155 5 болта
VKBA3567=R157.31	BAF-0158 SA28-120-63
VKBA3785=R190.01	ВАНВ311396B SA39-72-37
VKBA3786=R190.00	ВАНВ309726 SA34-64-37
VKBA6546=R154.57=713610480	BAF-0126/SKF/ със ABS SA45/47-92/140-42
VKBA6558=R154.54	BAF-0200 SA32-136.4-69.4 без ABS
VKBA6763=H2Y024BTA	Лагер главина с ABS датчик
VKBA6964=H25054	SA40-80-44/45 + 2бр.Сем + Втулка ABS
VKBA7015	Лагер главина с ABS датчик
EVR5314=R190.00=R190.13=VKBA663	SA34-64-37 532066 + 2бр. Зегерки
HK80/15=6G-88136=DG3367RS-2	SA33.32-67-17/24 №201696+Сем.32-47-8
713610230=kit10/23=kit02/30=VKBA529=R154.13	LM11749/710+LM45449/410+Сем. 40-52/58-7,5
713610380=VKBA3536=R157.26	SA43/45-85/127-40 глал. 4 болта
713610900=R157.43=VKBA6649	XBGB41500 с ABS 61/62-102/151-40.5
713613710=VKBA1999=R168.26	SA42-76-35/38
713615090=VKBA1948=R170.32	SA42-80-45
713667330=VKBA6624=R187.01	SA28-134-46
713678020=VKBA1431=R152.36	LM328227 – 2бр. 35-60-18.5 с уплатнение
713690080=VKBA1401=R158.25	SA35-66-33
713801810=713644160 – 2бр.	SA34-64-37 532066 – 2бр. + 4бр. Зегерки
Kit81117=R152.37=VKBA1333	LM329013 – 2бр. Сем. 40-55-8
Kit84157=R154.08	F-43710.1 /6207 C3 Сем. 48-72-7/8 - 2бр.
KF155.77U=VKBD1015	FC40858.S03 диск + лагер
R140.06=VKBA3613	FC40918.S02 SA49-84-48
R140.14=VKBA3552	BTH-1011AB SA55-90-60
R140.37=VKBA3642	FC40784S01 SA42-75-60
R140.68=VKBA923	18790/20 + 387A/382A Сем.69.6-99.97-12.7/20
R140.77=VKBA1444	10R32010 – 2бр. Сем.BS69-85-10 / BS63-80-10
R140.87=VKBA1465	LM11949/910+10R32007C+Сем.49x62.5/77.5x9.5/13
R140.94=VKBA3428	32011 – 2бр.
R140.95=VKBA3429	32006 + 32008
R140.96=VKBA3430	32206 + 33108
R141.27=VKBA3664	BTHB329129 SA49-84-48 + О-пръстен
R141.29=VKBA6721	BTH-1215 с ABS FC55-90-54
36-146520005 = R141.37	главина с ABS
R141.45=VKBA6570	BTH-1215 с ABS FC55-90-54
R141.54=HDS104	SA37-175-111
R150.02=713649120	LM11749/710 и LM45449/410 сем.40x52/62x8.5
R150.12=VKBA1318	SA37-74-45
R150.19=VKBA3499	SA42-75-37
R150.29=VKBA3445	580494 SA45-88/124-41 4-отвора
R150.30=VKBA3444	801106DASA27-138.5-81 със 5-отвора
R150.33=VKBA3574	805138=805621 SA49-90-45

R150.37=VKBA3670	SA0.00-135.5-83.00 – 5 болта
R151.01	6208J30 Сем.
R151.07=VKBA757	GB40264.S01 SA45-84-39
R151.10=VKBA1470	SA45-80-22/26
R151.14S=VKBA941	LM67048/010 + LM11949/910 S45x64x12/7
FE21847=R151.44=VKBA6508	SA25-55-53.5
R152.09	SA29-67-24
R152.16=VKBA686	LM68145/111 – 2бр. / Сем. 50-65-10/14 / Сем. 55-70-6/10
R152.17=VKBA528	LM45410/449 / LM11749/110
R152.19=VKBA687	LM573318/68111 – 2бр. / Сем. 50-65-10/14 / Сем. 55-70-6/10
R152.36=KIT81116=574821A=VKBA1431	LM328227 – 2бр. 35-60-18.5 с уплатнение
R152.37=KIT81117=VKBA1333	LM329013 – 2бр. / Сем. 40-55-8
R152.39=VKBA1432	GB41599.R02 SA39-72-37
R152.41=R152.40	LM68145/68111Z – 2бр.
R152.56=VKBA6515	BTH-1206 SA29-53-37
R152.60=VKBA3588	BTF-1125 B SA45-110-53 / 6 болта + гайка
R152.69=VKBA3661	3M-51-2C299-R / C8B9A
R153.14=VKBA663	SA34-64-37 + 2бр. Зегерки
R153.23=VKBA3409	BAR-0045B SA30-136-85.3 4 болта
R153.27=VKBA3555	BAR-0042 SA0-139.8-155 5 болта
R153.28=VKBA7472	EC35491 + LM48548/510
R153.30=VKBA3512	SA25.4-137-84
R153.31=VKBA3510	SA25.4-120-84
R153.43=VKBA6507	BAR-0350 SA31-137-85
R154.10=VKBA3645	XGB40900 / 6 болта + гайка
R154.13=kit10/23=kit02/30=VKBA529	LM11749/710+LM45449/410+Сем. 40-52/58-7,5
FE03674=R154.13=kit10/23=kit02/30=VKBA529	LM11749/710+LM45449/410+Сем. 40-52/58-7,5
R154.17=KIT84151=VKBA802	EC12694.H106 / LM45449/45410 / Сем. 55-68-8.5
R154.26=VKBA575	SA39-68-37
FE03620=R154.26=VKBA575	SA39-68-37 + 2бр. Зегерки
FE03662=R154.28=VKBA1358	SA40-72-37 + 2бр. Зегерки
R154.42=VKBA3450	SA43-80-38
R154.45=VKBA3548	SA28-120-62
R154.54=VKBA3644	XTGB41161.S02P SA32-136.5-77.2 с ABS
R154.57=VKBA6546	BAF-0126 SKF със ABS SA45/47-92/140-42
R154.58=R154.62=VKBA3646	805201 SA32-85/149-113 с шлицы / 6-болта
R155.16=VKBA3596	GB12807S10 / SA37-72-37
FE05526=R155.32=VKBA3496	SA35-65-35
R155.40=VKBA968	TGB12095.S44 SA25-133-73
R155.47=VKBA3468	TGB12096.S46 SA25-133-73
R155.55=VKBA3558	XTGB40487.P SA25-133-54
R155.58=VKBA976	FC12271.S03 SA25-55-43
R155.61=VKBA3492	XGB40492.S01P SA40-84.05-39.7 със ABS
FE05538=R155.63=VKBA3525	SA25-52-37
R155.69=VKBA3618	XGB40575.S02 SA45-86-39 с ABS
R155.72=VKBA3615	GB40919 SA40-84.05-39.7
R155.74=VKBA3648	XGB41166.S01 със ABS / SA45-88.02-39
R155.75=VKBA3637	XGB41140P със ABS / SA37-72-37
R155.76=VKBA3638	XGB41930 със ABS / SA42-77-39
R155.82=VKBA3677	TGB12095.S50 SA25-133-73
R157.07=VKBA613	SA42-75-37 + 2бр. Зегерки
R157.08=VKBA1355	SA39/41-75-37 + 2бр. Зегерки

R157.26=R157.45=VKBA3536	BGB40536.R02 / SA43/45-85-40 глал. 4 болта
R157.32=VKBA3569	XMGB40899 SA27-72-127-82/37
R157.43=VKBA6649	XBGB41500 с ABS 61/62-102/151-40.5
R158.13=VKBA734	SA22.8-116.8-69.4
R158.44=VKBA3538=VKBA6539	XBG40714.P с ABS
R158.45=VKBA3578	XGB12955 с ABS / SA42-80-37
R158.54=VKBA3598	XGB40721 с ABS / SA37-74-37
R159.03=VKBA612	Y44GB10667 SA42-84-34
R159.10=VKBA612	Y44GB10679.S02 SA35-72-28
R159.19=VKBA961	FC12025S09 / SA25-52-37
R159.42=VKBA3585	XGB40540.S08P SA25-129.1-59
R159.44=VKBA3584	XGB40574.P с ABS SA42-82-36
R159.47=VKBA3683	XGB41225.P с ABS SA45-83-44
R159.49=VKBA3693	SA32-128-60
R160.25=VKBA3502	XBGB40600.S02.P SA42-85.5/94-38
R160.34=VKBA6584	XHGB41247.R01 SA0-135-81.8
R160.48=VKBA3511=VKBA3503	BAF-0049X – SKF / SD25.5-119-86 / с 4 отвора + датчик за ABS
R161.08=VKBA1407	SA38-68-37
R161.23=VKBA3461	XGB41999 с ABS SA43-79-38/41
R166.11=VKBA1336	GB35166 SA40-80-31
R166.23=VKBA3478	TGB40175 SA32-129.1-59
R168.40=VKBA3703	GB35010 / SD35-69-39
R168.50=H11020	LM501349/310 / 30209 Сем.65x88x9/18
R168.55=VKBA3332	SA45-90-54
R168.58=H21002	6306 2RS / d 32 вътреш. Втулка + сем.41-56-7
R168.59=VKBA3205	LM603011 / EC12694.H106 / Сем57-79/85-7.5/13.7 / Сем 50-93-24
R168.109 NISSAN GT-R 3.8 10.11-	главина
R169.20=VKBA3234	308WK10g
R169.26=VKBA3308	38-74-33/36 със семеринг за ABS
R169.59=9400149=VKBA3697	главина
R169.59=H22091	главина
R169.76=VKBA6828	SA0-135-60
R169.78=VKBA6824=30-147520006	SA28-152-98
R170.36=VKBA6801	3N61-2C299-AN006D със ABS
R170.53=VKBA1480	F-805971 FAG SA40-75-37
R173.06=VKBA1915	EC35398 + LM102949/910 + сем.
R173.09=VKBA1367	LM28-50.3-16.6 28KW01- 26p.+C39-52-6/11
R173.15=VKBA1366	LM57410/29710 38.1-65.088-14/21 Сем.50-66.5-13/16 – 26p.
H15004=R173.15=VKBA1366	LM57410/29710 38.1-65.088-14/21 Сем.50-66.5-13/16 – 26p.
R173.20=VKBA3775	30208 + 26p семеринги + втулка
R173.22=VKBA3309	AU0803 SA40-74-36 + 26p семеринги
R173.23=VKBA3305	SA28-125-70
R173.49=VKBA7405	DACF1085 SA30-138-72 със ABS
R174.40=VKBA3951	SA45-84-42
R174.47=TGB35095=VKBA6818	HUB199 SA30-152-83.5 със ABS
R174.48=VKBA6869	HUB218-7
R174.64=TGB35110 с ABS	HUB142 със ABS
R174.87=VKBA7539	SA0-126/151-110
R174.89=VKBA6830	45EWD12U1
R177.23=H28015	DG4080 втулка + семеринг 51x71x9
R178.05=VKBA3568	SA22-66/120-37/83
R181.09=VKBA3235=KIT 82701 – EK78811	SA42-72-35/38

R181.10=VKBA3236	SA38-65-48/52
R181.19=VKBA6885=HGB35312 с ABS	HUB213T-4 SA26.4-124-74.1 със ABS
R181.26=713622210=VKBA7479	SA28-124-80
R182.61=VKBA3570	TGB35134
R184.06=VKBA3906	SA40-80-36
R184.52=VKBA3796	30204 + 30205 + сем.
R184.53=VKBA3901	68145/68111 – 2бр. Сем. 2бр. Втулка
H2Y016	U399/U360L 39.69-73.08-22/19 + втулка Сем.47.63x73.08x11.95
H2Y025=R186.23	DB-67309 сем.BS42x65x13
R190.11=VKBA7437	SA0-31-151